

XL Assembly Instructions

People required: 2

Average time required: 4 hours

For replacement parts,
questions or concerns, contact:

802.347.2111

service@mamava.com

Version: XL V4

02/25/2022



WARNING! Power tools will strip hardware,
ASSEMBLE WITH HAND TOOLS ONLY!

****Use provided #3 Phillips, and Rotolock Allen Key****
****Protective gloves should be worn during assembly****



WARNING! The unit is intended to be installed in an indoor location only.

The unit should not be installed in any area where it will be exposed to moisture, excessive humidity, wind or other outdoor elements or extreme temperatures (below 40°F (4°C) or greater than 90°F (32°C)).



AVERTISSEMENT! L'utilisation d'outils électriques abîmera la quincaillerie.

ASSEMBLER UNIQUEMENT AVEC DES OUTILS À MAIN!

****Utiliser le tournevis Phillips no 3 et la clé hexagonale Roto Lock qui sont fournis****
****On recommande de porter des gants de protection pendant l'assemblage****



AVERTISSEMENT! L'unité est prévue pour être installée uniquement à l'intérieur.

L'unité ne doit pas être installée dans un lieu où elle sera exposée à de l'humidité excessive, au vent, aux éléments ou à des températures extrêmes (inférieures à 4 °C [40 °F] ou supérieures à 32 °C [90 °F]).

Table of Contents

Floor Pan (Page 5)

Step 1.....

Step 2.....

Seats and Counters (Page 6)

Step 3.....

Step 4.....

Step 5.....

Step 6.....

Step 7.....

Step 8.....

Back Wall Panels (Page 7)

Step 9.....

Step 10.....

Step 11.....

Step 12.....

Step 13.....

Outlet Boxes and Counters (Page 8)

Step 14.....

Step 15.....

Step 16.....

Wiring: Outlet Boxes (Page 9)

Step 17.....

Step 18.....

Step 19.....

Step 20.....

Front Wall Panels (Page 10)

Step 21.....

Step 22.....

Step 23.....

Step 24.....

Header and Roof Pans (Page 11)

Step 25.....

Step 26.....

Step 27.....

Step 28.....

Step 29.....

Wiring: Roof Pan (Page 12)

Step 30.....

Step 31.....

Step 32.....

Step 33.....

Step 34.....

Beauty Panels (Page 13)

Step 35.....

Step 36.....

Step 37.....

Graphic Panels and Roof Caps (Page 14)

Step 38.....

Step 39.....

Step 40.....

Step 41.....

Door (Page 15)

Step 42.....

Step 43.....

Step 44.....

(OPTIONAL FRIDGE CABINET)

Fridge Cabinet/Seat and Counters (Page 16)

Step 3.....

Step 4.....

Step 5.....

Step 6.....

Step 7.....

Step 8.....

Wiring: Fridge Cabinet and Outlet Box (Page 17)

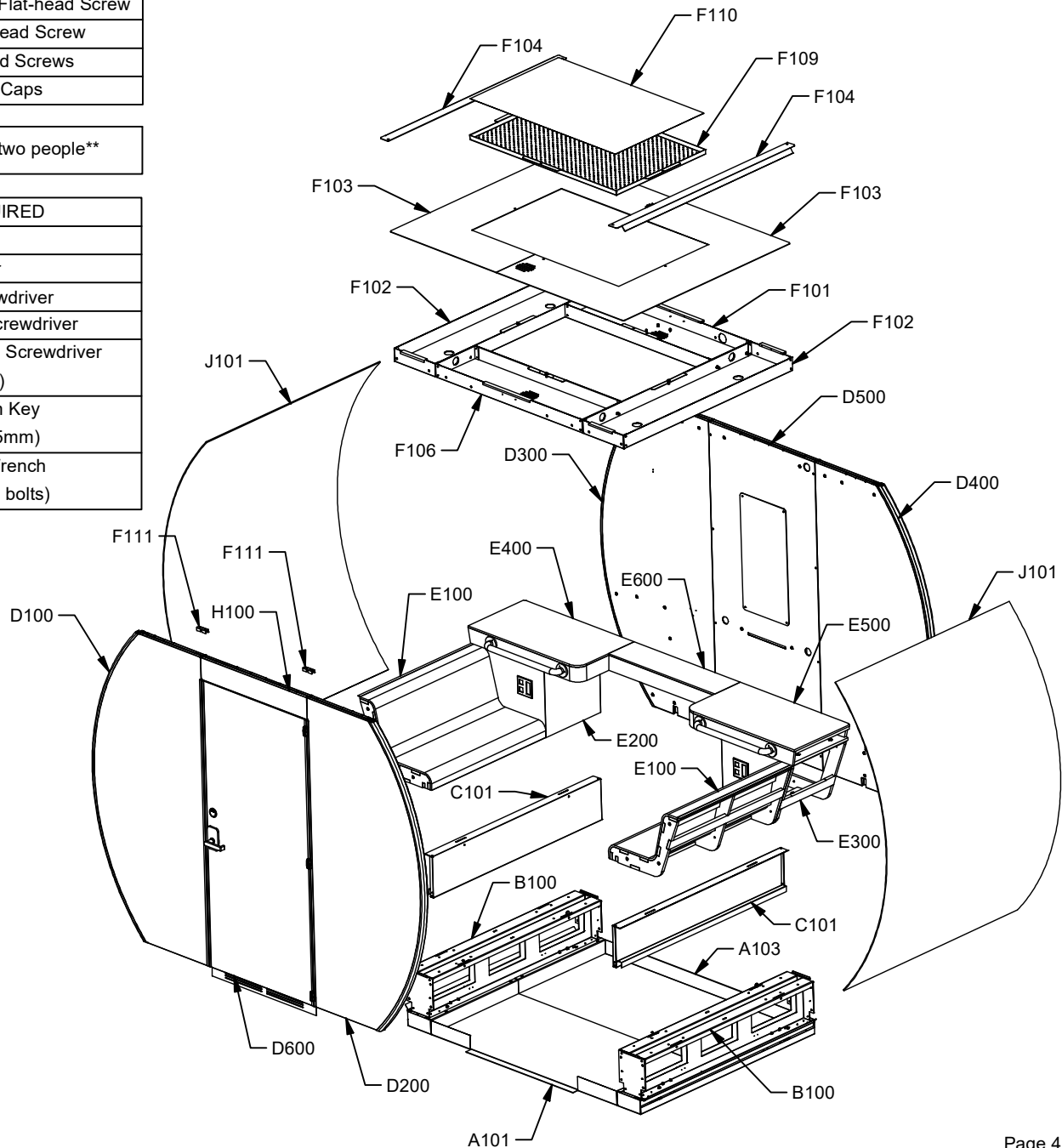
Step 18.....

PARTS LIST	
PART NUMBER	DESCRIPTION
XL-A101	FRONT FLOOR PAN
XL-A103	BACK FLOOR PAN
XL-B100	CHASSIS
XL-C101	BEAUTY PANEL
XL-D100	FRONT LEFT WALL PANEL
XL-D200	FRONT RIGHT WALL PANEL
XL-D300	BACK LEFT WALL PANEL
XL-D400	BACK RIGHT WALL PANEL
XL-D500	BACK MIDDLE WALL PANEL
XL-D600	DOOR
E100	BENCH
XL-E200	LEFT OUTLET BOX
XL-E300	RIGHT OUTLET BOX
XL-E400	LEFT COUNTER
XL-E500	RIGHT COUNTER
XL-E600	MIDDLE COUNTER
XL-E607	MIDDLE WIRE COVER
XL-F101	BACK ROOF PAN
XL-F102	SIDE ROOF PAN
XL-F103	ROOF CAP
XL-F104	GRAPHIC CAP
XL-F106	FRONT ROOF PAN
XL-F109	PERF PAN
XL-F110	ENHANCED PRIVACY PANEL (OPTIONAL)
F111	DOOR FRAME BRACKET
XL-H100	HEADER
XL-J101	GRAPHICS PANEL
K300	FRIDGE CABINET (OPTIONAL)

LOOSE HARDWARE
(8) M8 X 1.25 X 16mm Flat-head Screw
(57) M8 X 1.25 X 25mm Flat-head Screw
(40) M8 X 1.25 X 50mm Flat-head Screw
(8) #8 X 3/4" Pan-head Screw
(8) #6 X 3/4" Wood Screws
(12) Rotolock Caps

****Assembly requires two people****

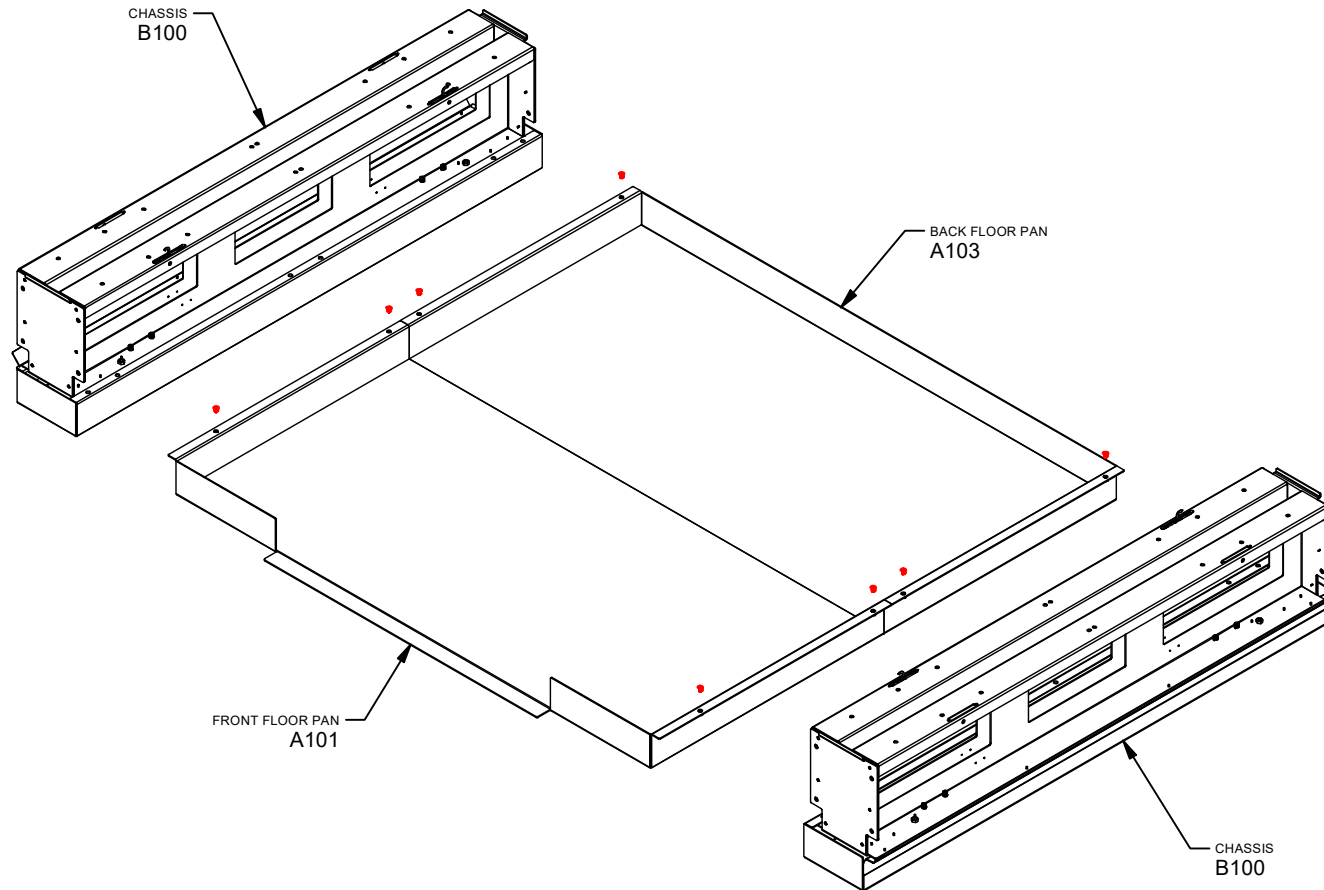
TOOLS REQUIRED
2' Level
6' Ladder
Flat Head Screwdriver
Philips Head #2 Screwdriver
Philips Head #3 Drive Screwdriver (provided)
Rotolock Allen Key (provided, 5.5mm)
9/16" Socket Wrench (for red painted bolts)



FLOOR PAN

Note: If this is a seismic unit, follow the instructions included in the seismic kit before continuing to step 1 of this document.

1. Set parts on floor as shown.
2. Fasten Front Floor Pan and Back Floor Pan flanges to Left and Right Chassis.
(8) M8 X 1.25 X 16mm screws



SEATS AND COUNTERS

3. Fasten bottom of Left Outlet Box to top of Left Chassis, and bottom of Right Outlet Box to top of Right Chassis.
(2 per side) M8 X 1.25 X 25mm screws

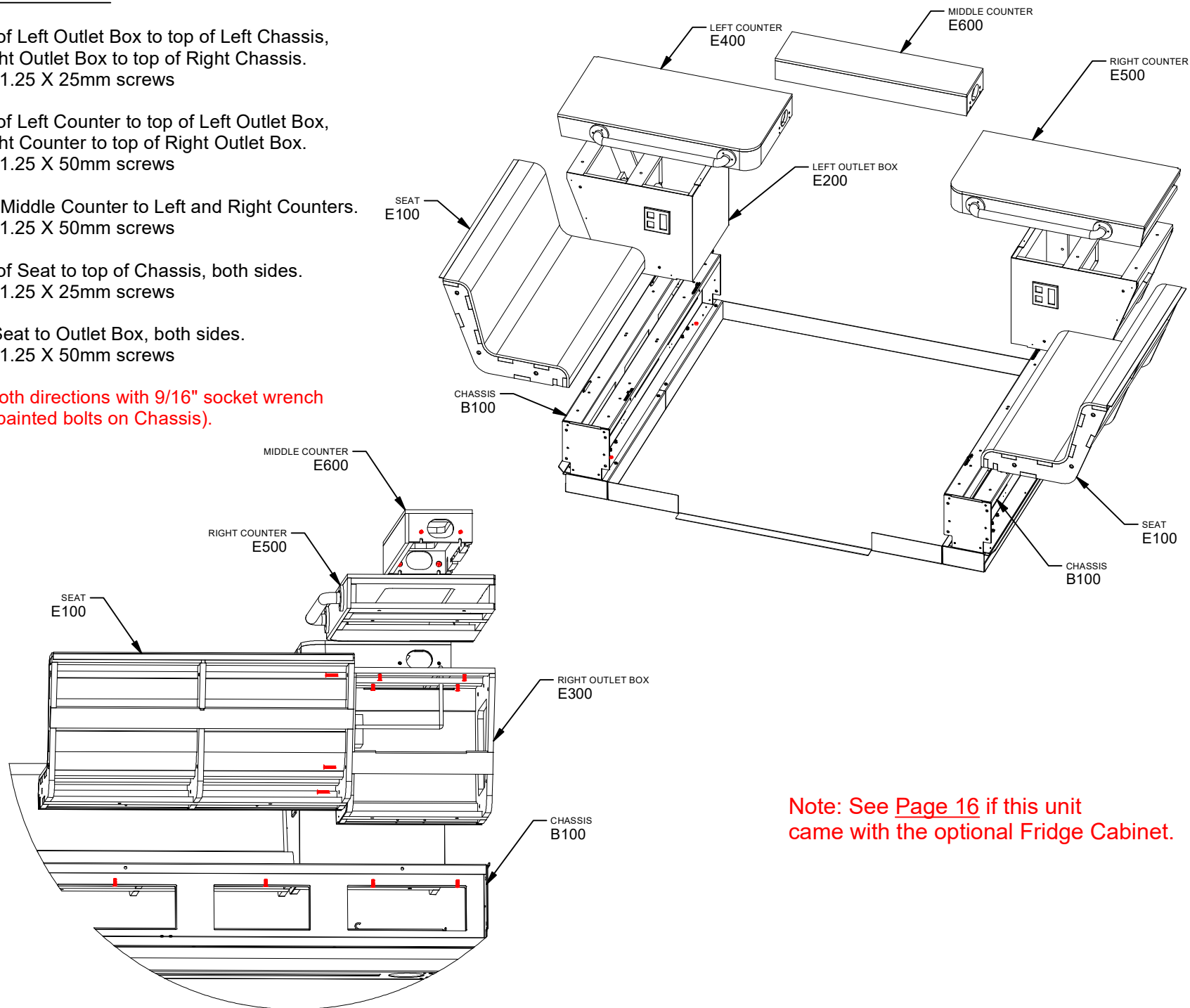
4. Fasten bottom of Left Counter to top of Left Outlet Box, and bottom of Right Counter to top of Right Outlet Box.
(4 per side) M8 X 1.25 X 50mm screws

5. Fasten ends of Middle Counter to Left and Right Counters.
(2 per side) M8 X 1.25 X 50mm screws

6. Fasten bottom of Seat to top of Chassis, both sides.
(2 per side) M8 X 1.25 X 25mm screws

7. Fasten end of Seat to Outlet Box, both sides.
(3 per side) M8 X 1.25 X 50mm screws

8. Level base in both directions with 9/16" socket wrench and 2' Level (red painted bolts on Chassis).



Note: See [Page 16](#) if this unit came with the optional Fridge Cabinet.

BACK WALL PANELS

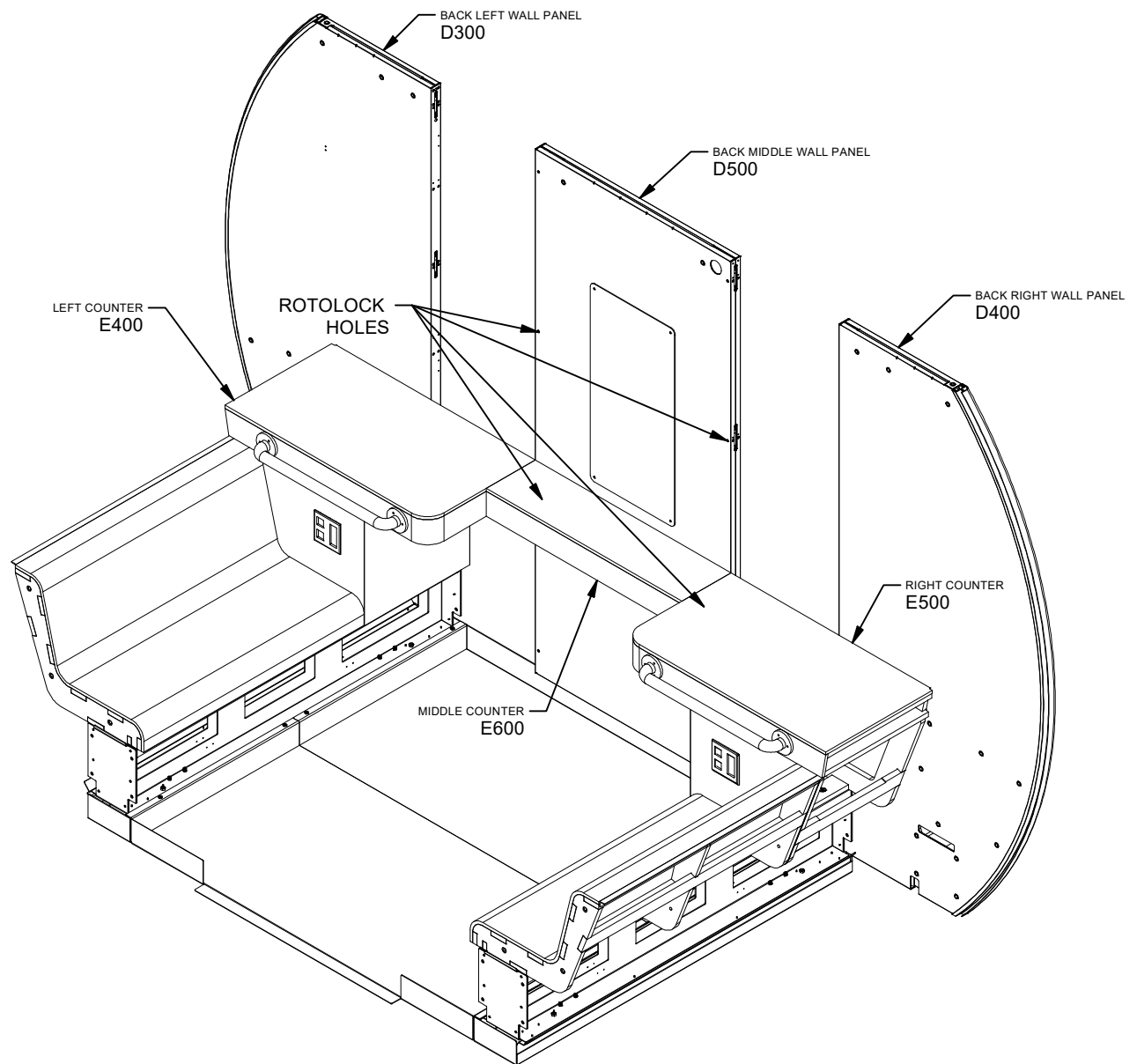
9. Hook Back Middle Wall Panel onto back of Middle Counter.

10. Hook Back Left Wall Panel onto top of Left Chassis.

11. Hook Back Right Wall Panel onto top of Right Chassis.

12. Rotolock back panels together with provided allen key.

13. Place Rotolock caps over holes.

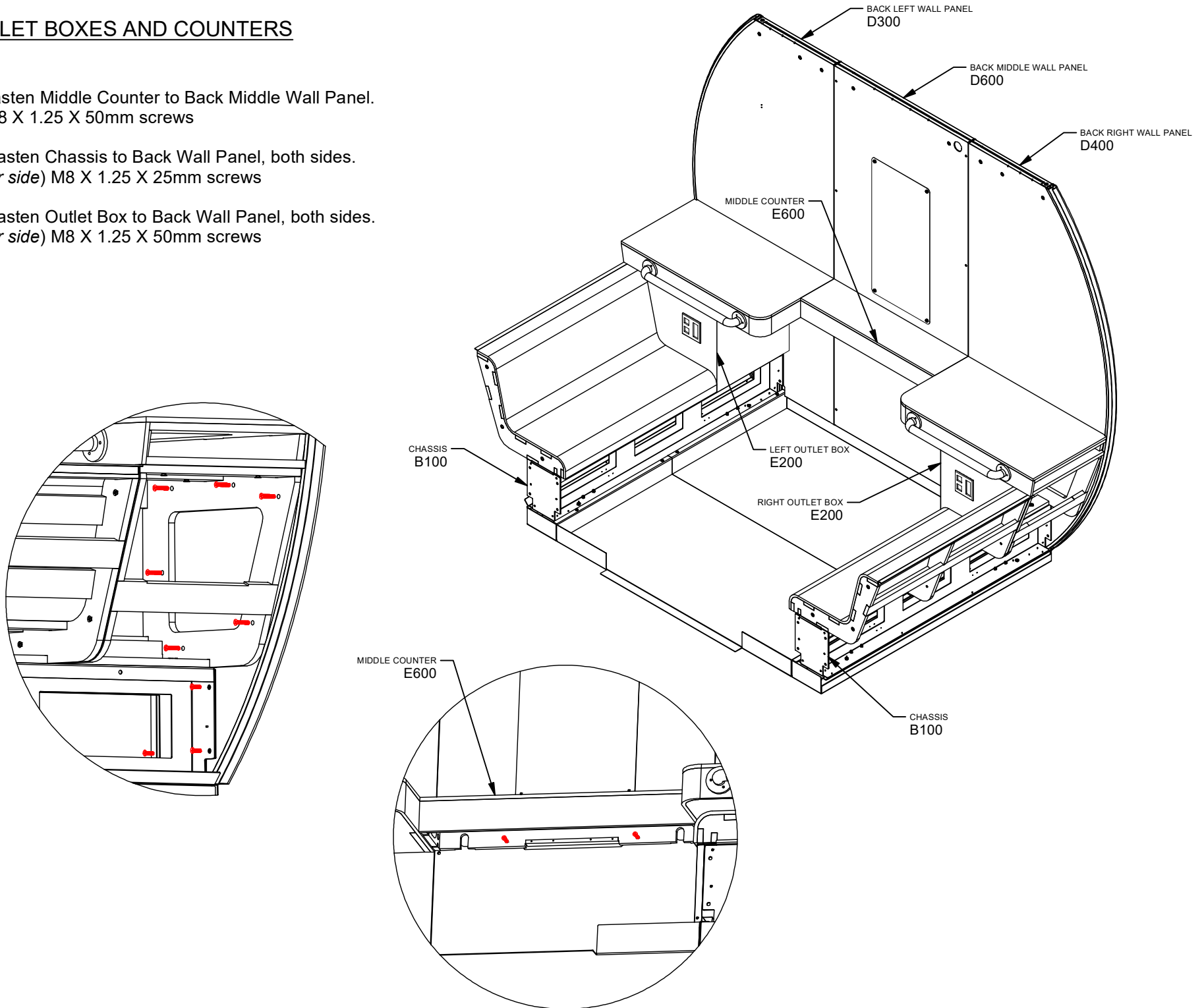


OUTLET BOXES AND COUNTERS

14. Fasten Middle Counter to Back Middle Wall Panel.
(2) M8 X 1.25 X 50mm screws

15. Fasten Chassis to Back Wall Panel, both sides.
(4 *per side*) M8 X 1.25 X 25mm screws

16. Fasten Outlet Box to Back Wall Panel, both sides.
(6 *per side*) M8 X 1.25 X 50mm screws



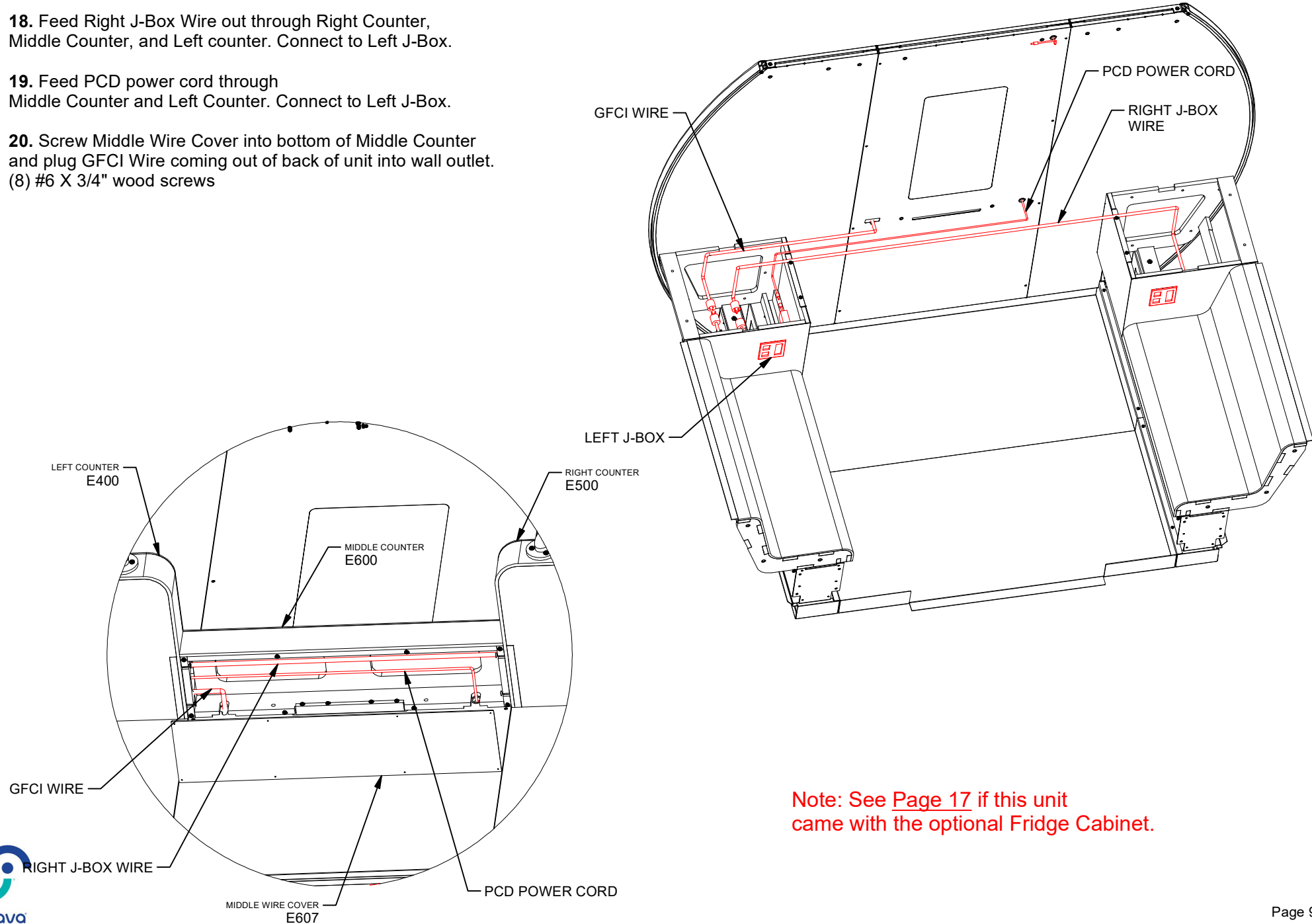
WIRING: OUTLET BOXES

17. Feed GFCI Wire through Middle Counter and Left counter holes. Connect to Left J-Box.

18. Feed Right J-Box Wire out through Right Counter, Middle Counter, and Left counter. Connect to Left J-Box.

19. Feed PCD power cord through Middle Counter and Left Counter. Connect to Left J-Box.

20. Screw Middle Wire Cover into bottom of Middle Counter and plug GFCI Wire coming out of back of unit into wall outlet.
(8) #6 X 3/4" wood screws



Note: See [Page 17](#) if this unit came with the optional Fridge Cabinet.

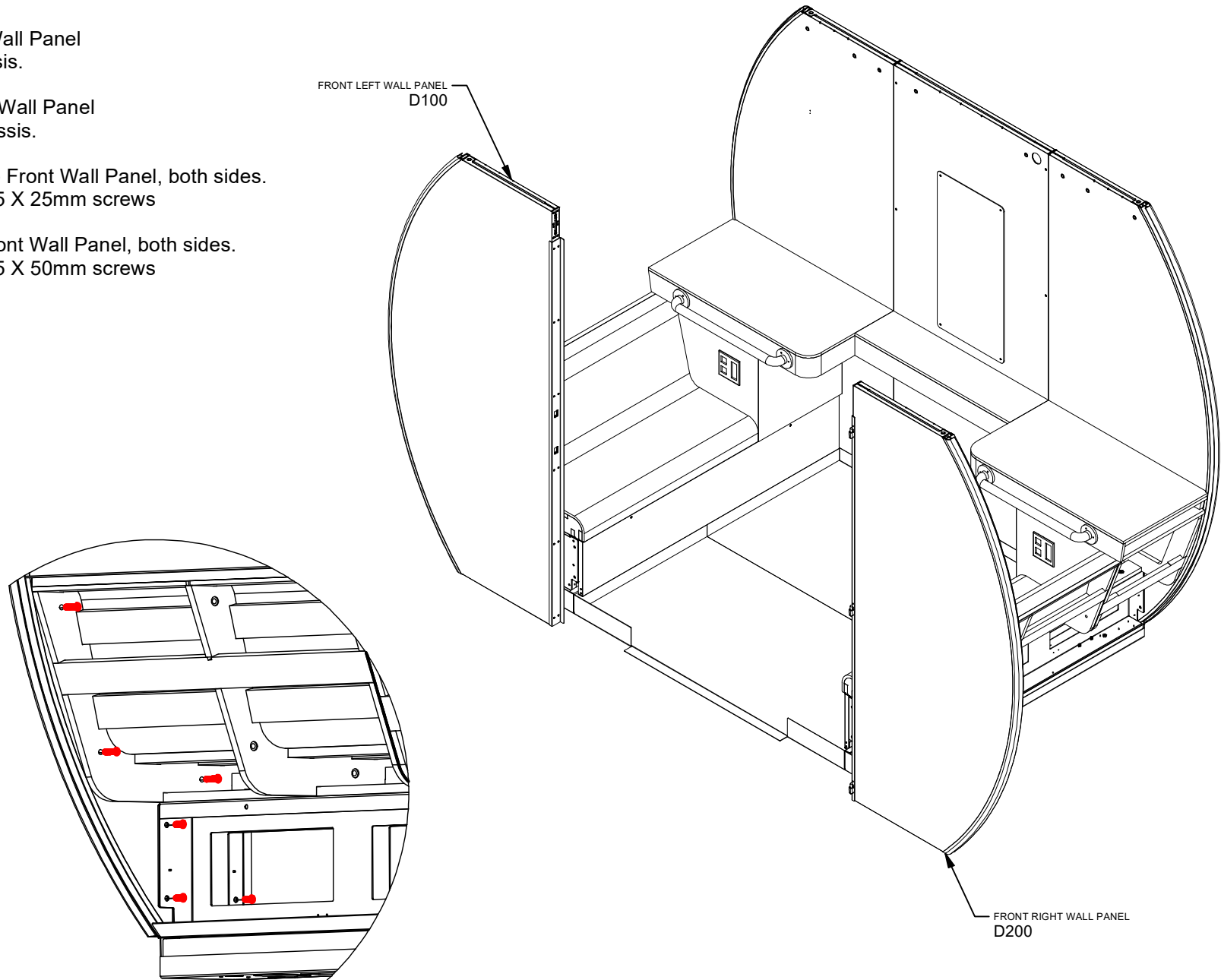
FRONT WALL PANELS

21. Hook Front Left Wall Panel onto top of Left Chassis.

22. Hook Front Right Wall Panel onto top of Right Chassis.

23. Fasten Chassis to Front Wall Panel, both sides.
(4 per side) M8 X 1.25 X 25mm screws

24. Fasten Seat to Front Wall Panel, both sides.
(3 per side) M8 X 1.25 X 50mm screws



HEADER AND ROOF PANS

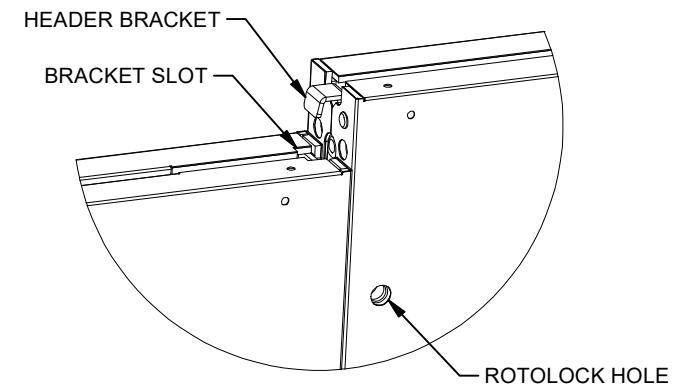
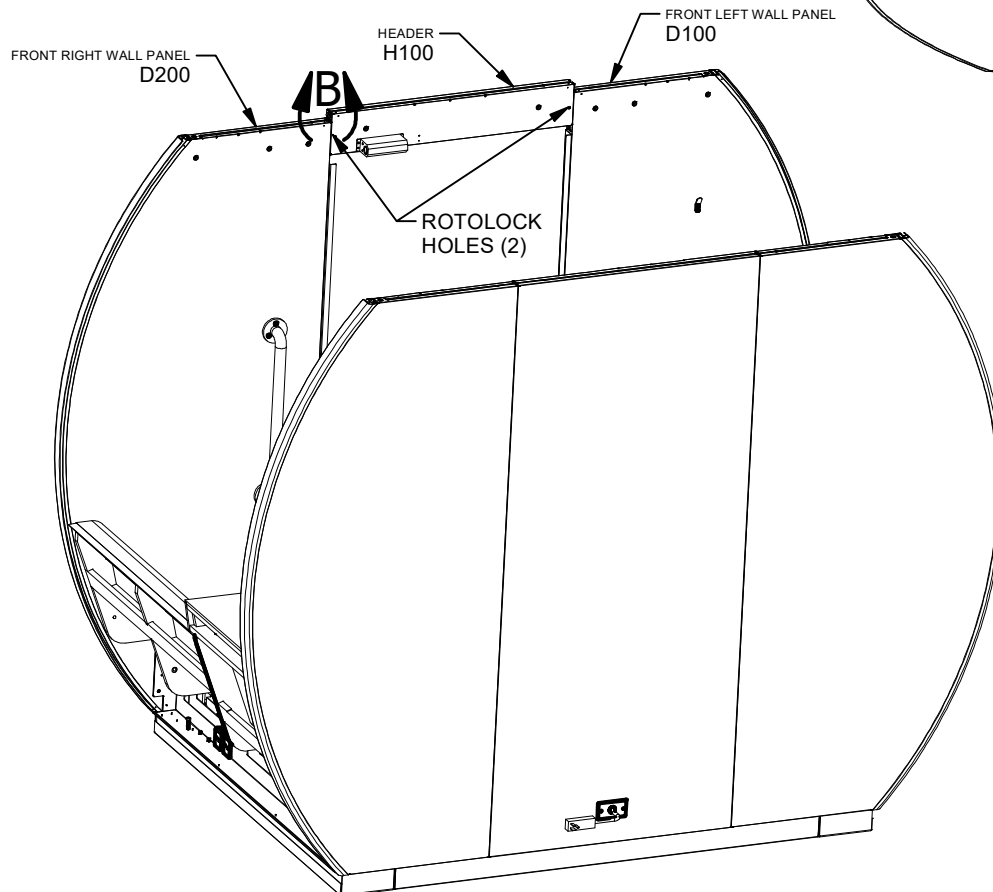
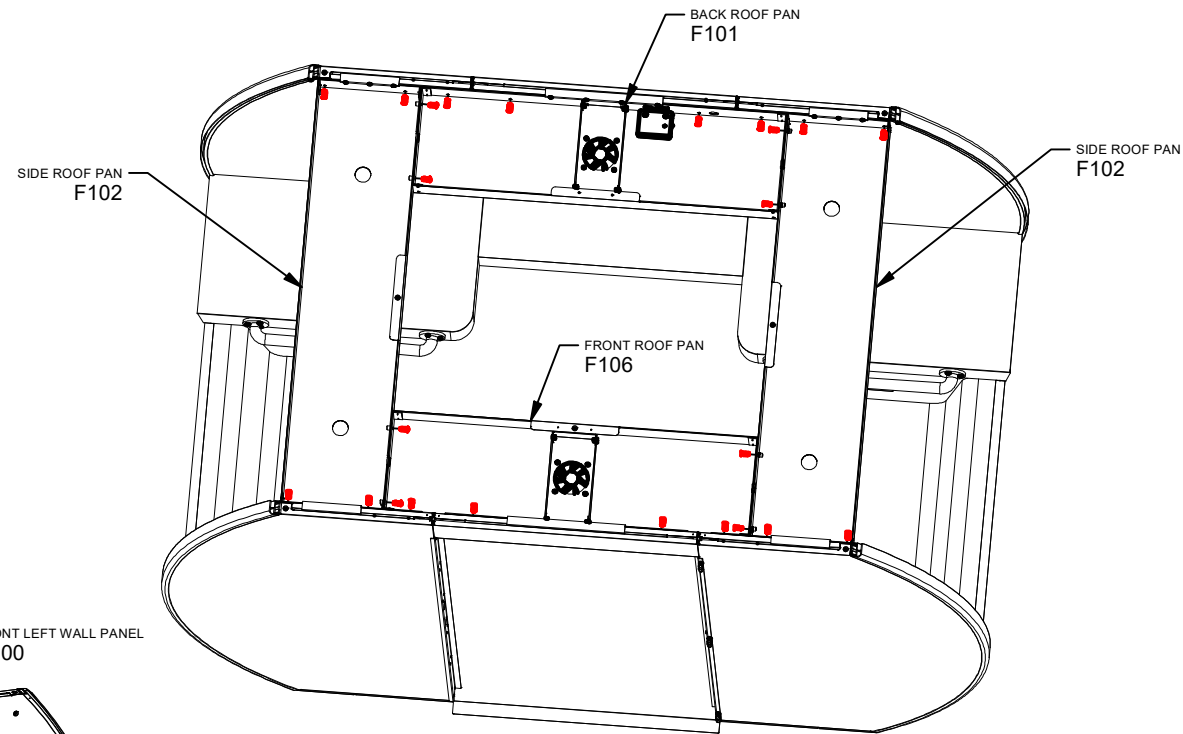
25. Pop Header Brackets into Wall Panel Bracket Slots by pushing downward on Header. Rotolock Header to Front Left Wall Panel and Front Right Wall Panel with provided allen key.

26. Drop Side Roof Pan into slot on top of Wall Panels as shown, both sides.

27. Drop Back Roof Pan and Front Roof Pan into slots in top of wall panels.

28. Fasten Side Roof Pan to Wall Panels, both sides.
(4 per side) M8 X 1.25 X 25mm screws

29. Fasten Front and Back Roof Pans to Side Roof Pans and Wall Panels.
(16) M8 X 1.25 X 25mm screws



DETAIL B

WIRING: ROOF PAN

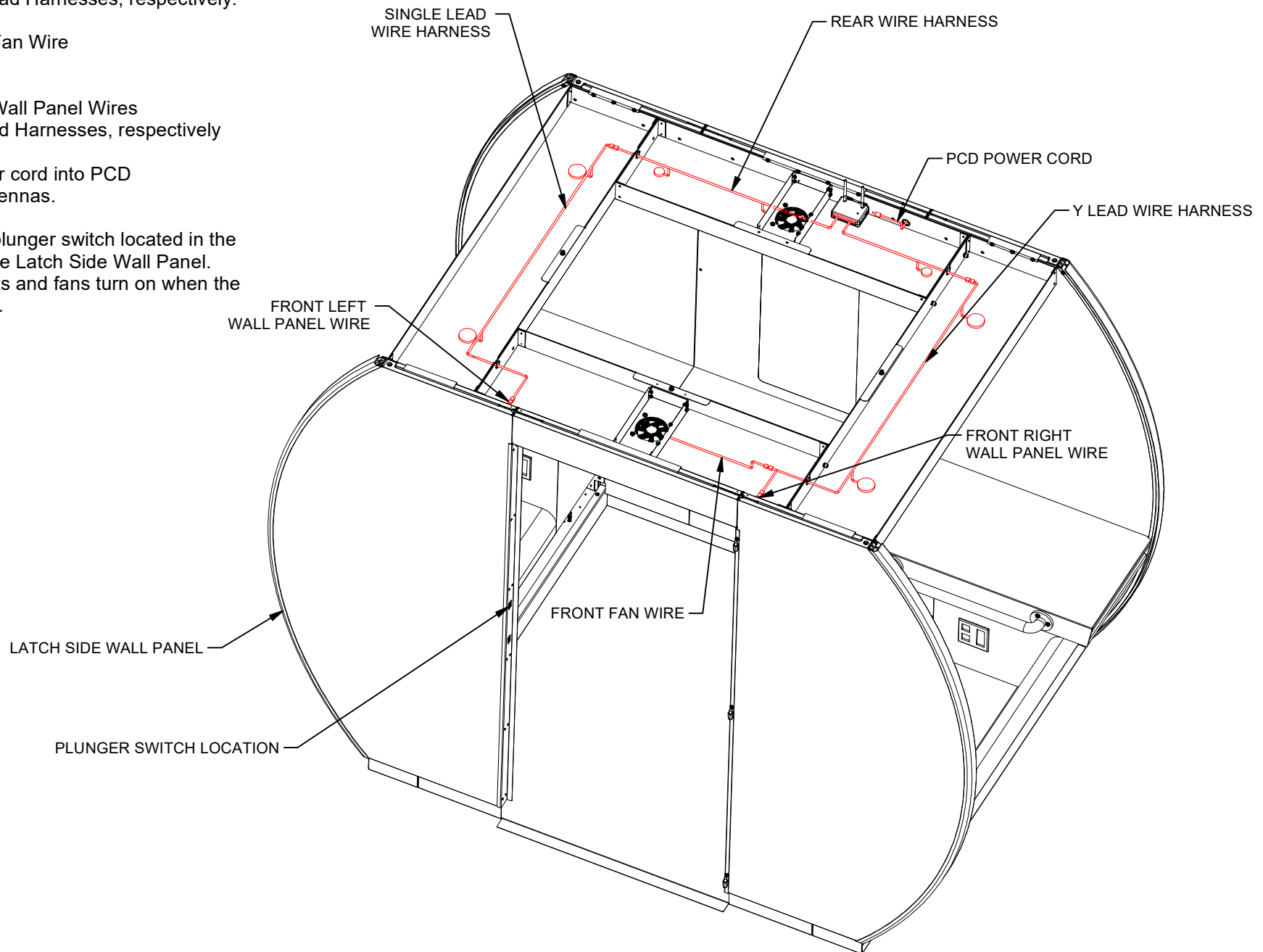
30. Connect Rear Wire Harness into the Single and Y Lead Harnesses, respectively.

31. Connect Front Fan Wire to Y Lead Harness.

32. Connect Front Wall Panel Wires to Single and Y Lead Harnesses, respectively

33. Plug PCD power cord into PCD and flip up PCD antennas.

34. Hold down the plunger switch located in the dead bolt hole on the Latch Side Wall Panel. Verify that both lights and fans turn on when the switch is depressed.

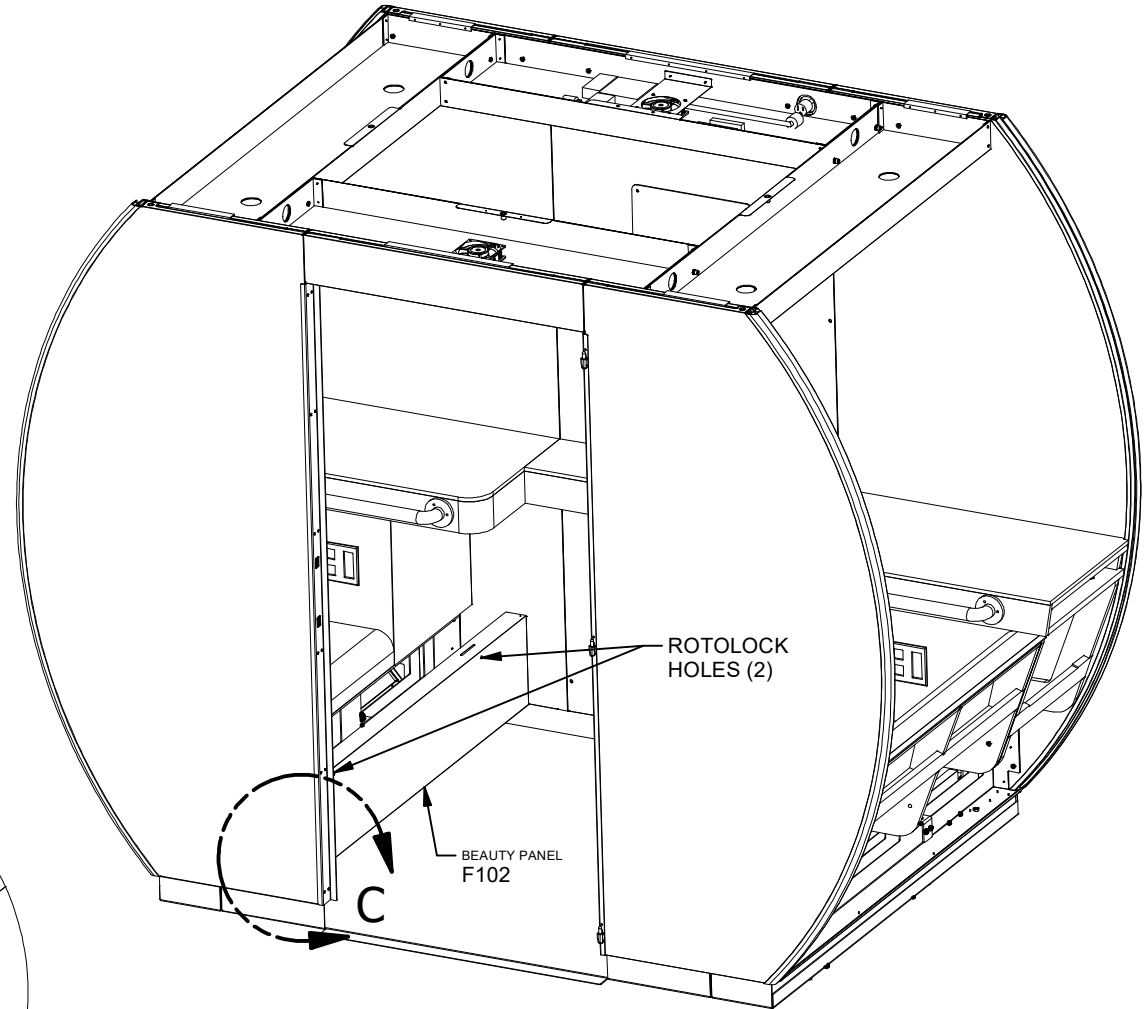


BEAUTY PANELS

35. **If unit needs to be moved, raise leveling feet located in bottom corners of the Chassis (red painted bolts). Once unit is in the right spot, level it in both directions with 9/16" socket wrench and 2' Level**

**36. Slide Left Beauty Panel under Left Seat, lock Rotolock with allen key in two places. Add rotolock caps to holes.
(2 caps)**

**37. Slide Right Beauty Panel under Right Seat, lock Rotolock with allen key in two places. Add Rotolock caps to holes.
(2 caps)**



TOP FLANGE

CHASSIS
B100

BEAUTY PANEL
F102

HOOK BOTTOM FLANGE ONTO CHASSIS
BEFORE SLIDING TOP FLANGE
UNDER SEAT AND ROTOLOCKING

DETAIL C

GRAPHIC PANELS AND ROOF CAPS

38. Place ladder inside unit. Feed Graphic Panel overhead and into slots in the Wall Panel Channels, both sides.

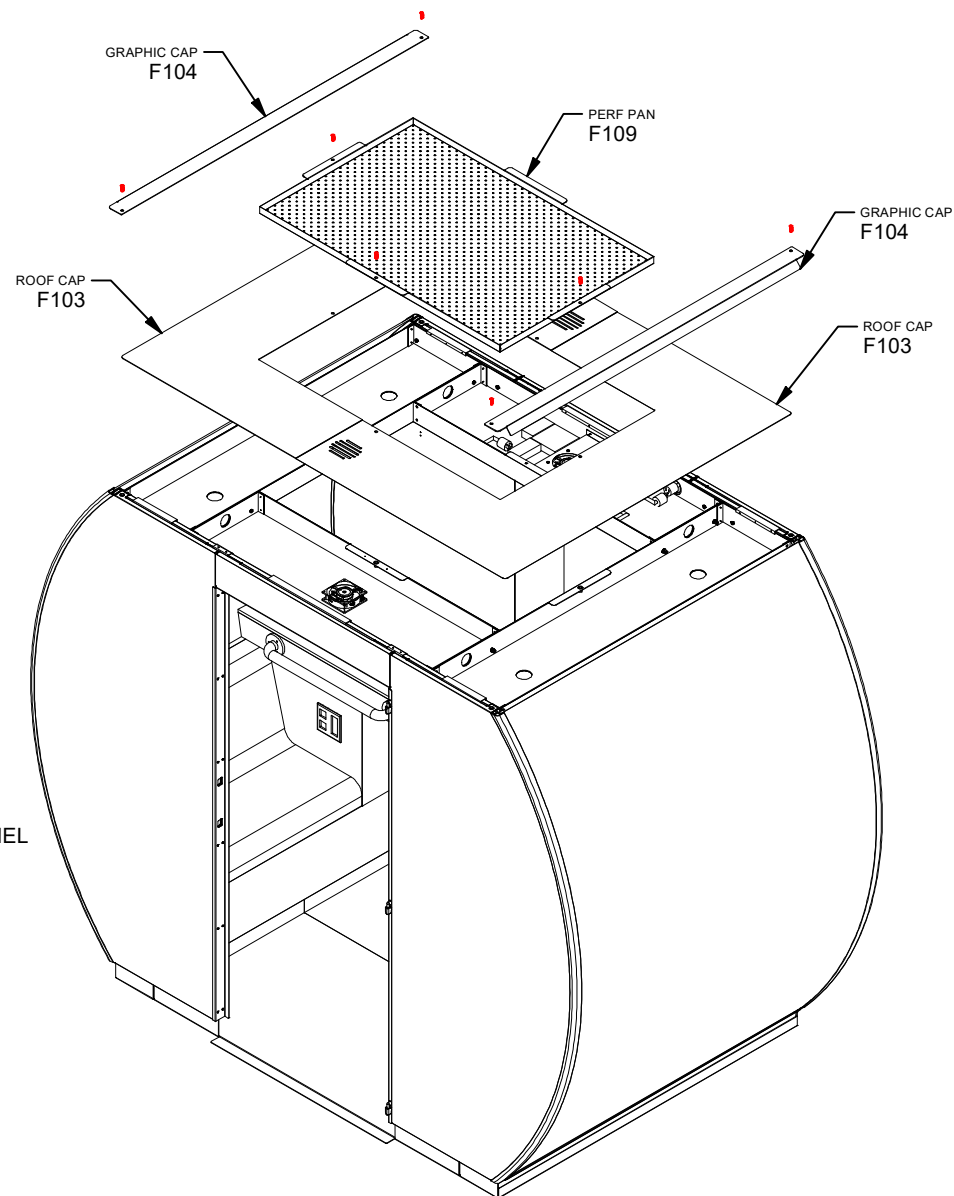
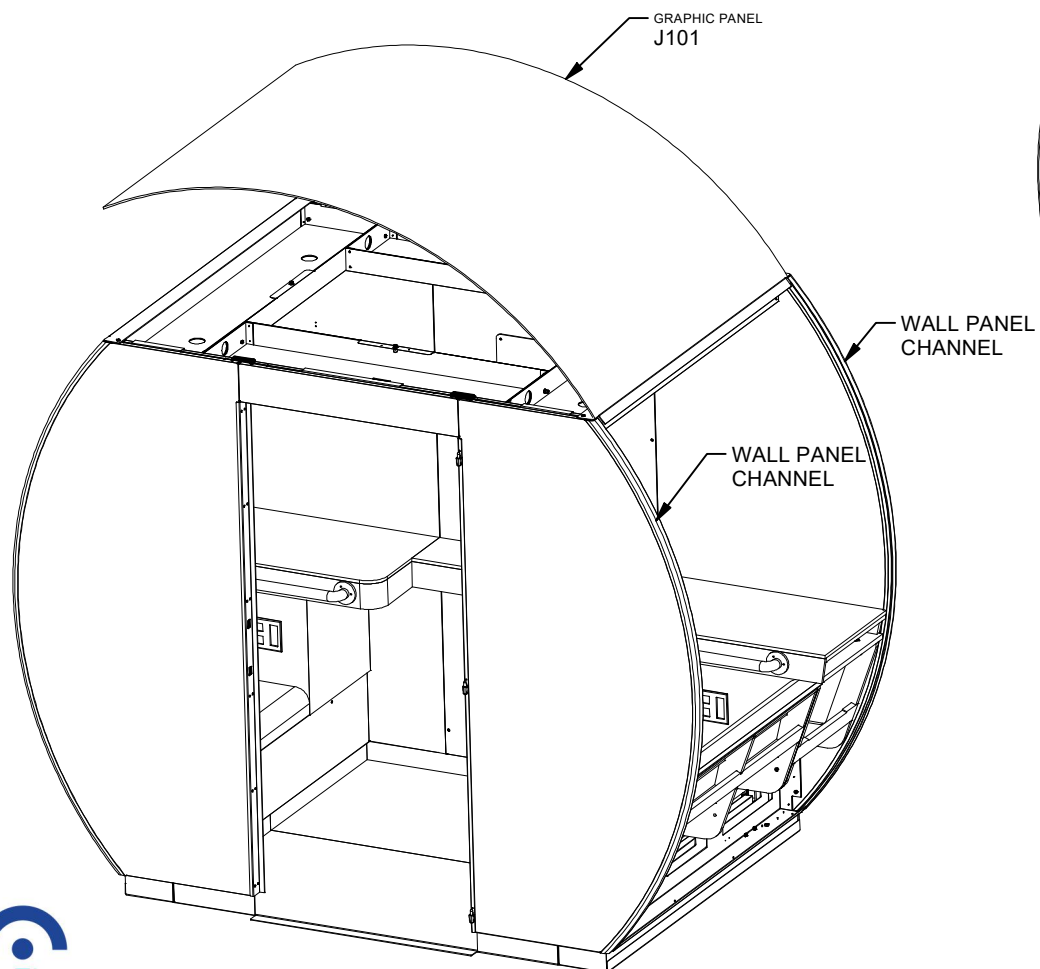
39. Drop both Roof Caps onto Roof Pans as shown. PCD antennas pass through holes in Roof Cap.

40. Fasten Graphic Caps to Front and Back Wall Panels.

(4) M8 X 1.25 X 25mm screws

41. Drop Perf Pan into center, fasten to Roof Pans underneath.

(3) M8 X 1.25 X 25mm screws



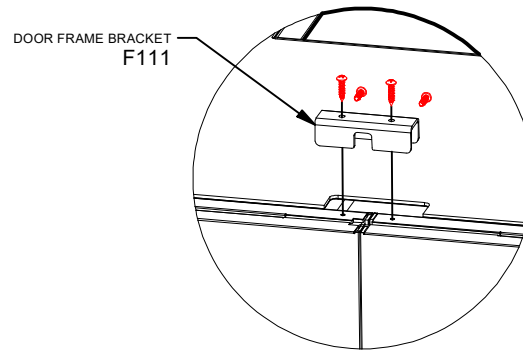
DOOR

42. Hang Door and connect door closer arms.

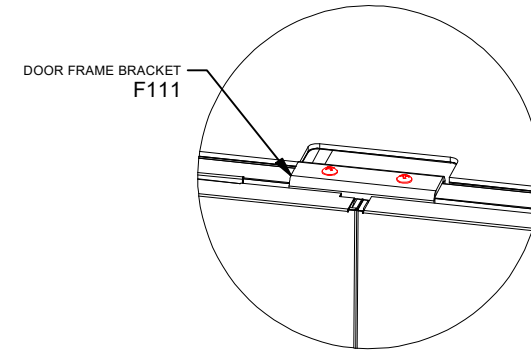
43. Adjust Door Kick so that it sits 1" off the floor. Tighten in place via screws on back of door.

44. Fasten Door Frame Brackets to top and inside of unit as shown in Detail D and D1. Tap in bracket with hammer if necessary. (4 per bracket) #8 X 3/4" Pan-head screws

****Assembly completed! Check for even spacing between the top of the door and header. If the door isn't sitting square, remove side beauty panels and adjust leveling feet (red painted bolts), making sure the walls are level horizontally and vertically****



DETAIL D



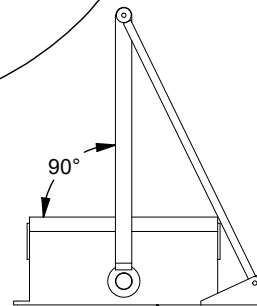
DETAIL D1

TOP ARM MUST BE
90° TO CLOSED DOOR

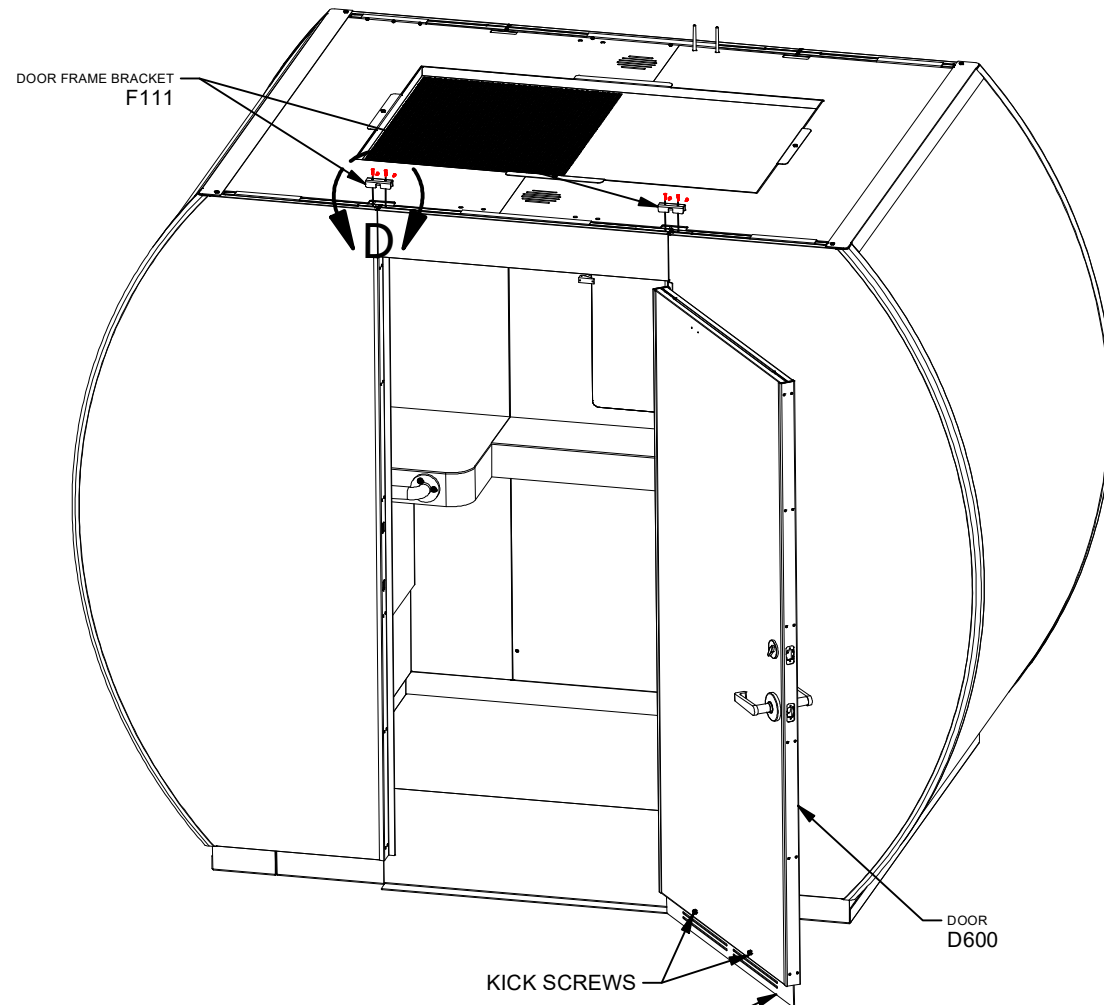
TENSION AND SPEED
ADJUSTMENT SCREWS

FASTEN BOTTOM
ARM TO TOP ARM.

*SPIN BOTTOM ARM
TO CHANGE LENGTH.



DOOR CLOSER SETUP
AS VIEWED FROM BELOW



KICK SCREWS

DOOR KICK

DOOR
D600

(OPTIONAL FRIDGE CABINET INSTRUCTIONS)

FRIDGE CABINET/SEAT AND COUNTERS

3. Fasten bottom of Left Outlet Box to top of Left Chassis, and bottom of Right Outlet Box to top of Right Chassis. Remove Right J-Box from Right Outlet Box. (2 per side) M8 X 1.25 X 25mm screws

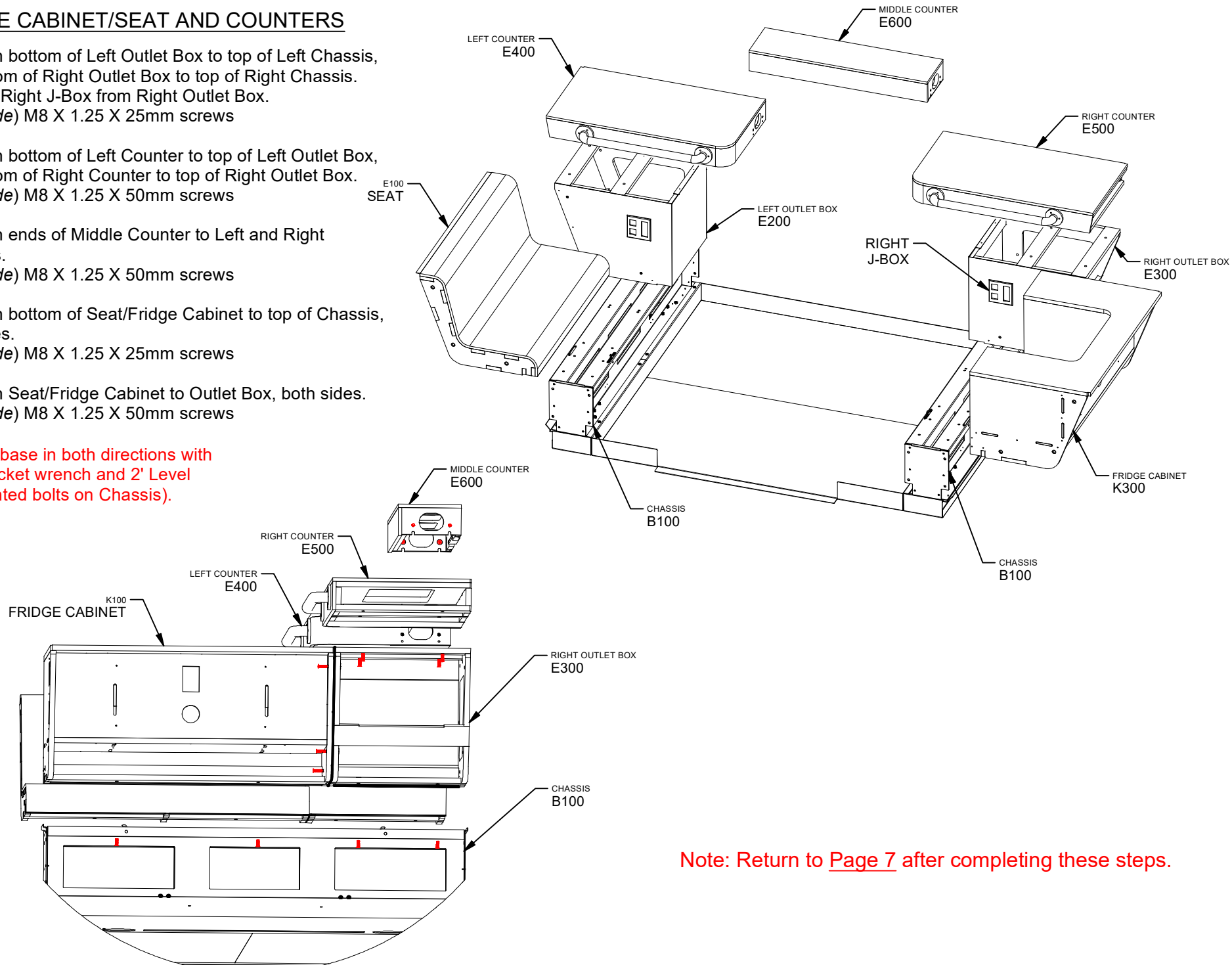
4. Fasten bottom of Left Counter to top of Left Outlet Box, and bottom of Right Counter to top of Right Outlet Box. (4 per side) M8 X 1.25 X 50mm screws

5. Fasten ends of Middle Counter to Left and Right Counters. (2 per side) M8 X 1.25 X 50mm screws

6. Fasten bottom of Seat/Fridge Cabinet to top of Chassis, both sides. (2 per side) M8 X 1.25 X 25mm screws

7. Fasten Seat/Fridge Cabinet to Outlet Box, both sides. (3 per side) M8 X 1.25 X 50mm screws

8. Level base in both directions with 9/16" socket wrench and 2' Level (red painted bolts on Chassis).



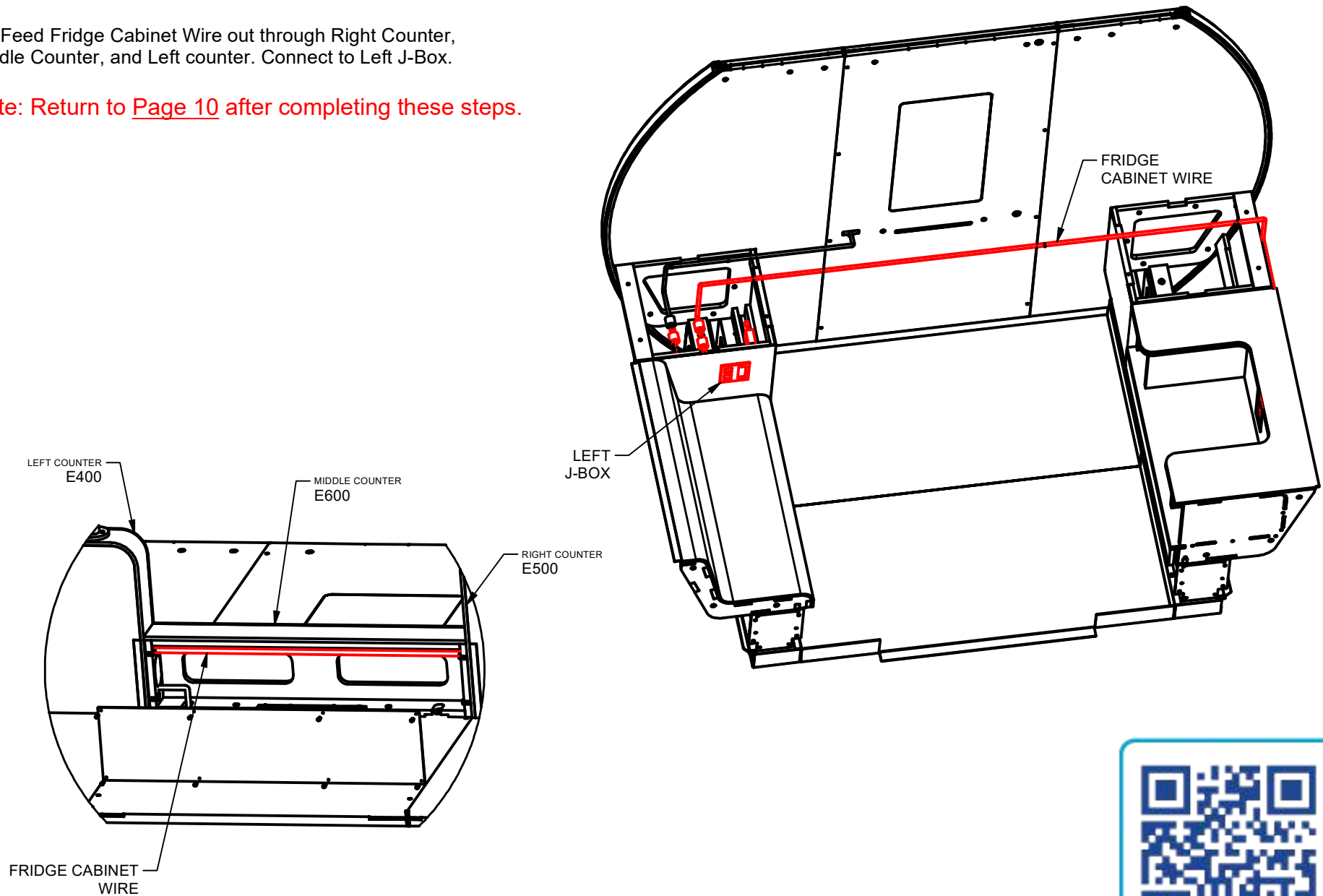
Note: Return to [Page 7](#) after completing these steps.

(OPTIONAL FRIDGE CABINET INSTRUCTIONS)

WIRING: FRIDGE CABINET AND OUTLET BOX

18. Feed Fridge Cabinet Wire out through Right Counter, Middle Counter, and Left counter. Connect to Left J-Box.

Note: Return to [Page 10](#) after completing these steps.





Post Installation Checklist

Congrats on your new addition and welcome to the Mamava family! Once your Mamava pod is installed, please take a few moments to ensure everything is fully functional. Once we receive this from, signed and dated, plus a photo of your pod, we'll activate the pod on our app, so breastfeeding parents can find and access it with their own phone.

Store your Mamava owner's manual guide, brass key, and small deadbolt key in a safe location. If you require assistance, please contact us at (802) 347-2111 or service@mamava.com and we'll be happy to help.

Mamava.com
(802) 347-2111
service@mamava.com

Check Your Pod

- The door closes easily and freely without rubbing against the door frame. If it doesn't, please address by referring to the pod alignment and leveling instructions.
- The deadbolt engages fully and easily. If it doesn't, please address leveling and pod alignment.
- The interior lights and fans turn on automatically when the door opens. The lights and fans will go off after 30 seconds have elapsed.
- All outlets (standard and USB port) work.

Test Pod Access

- Test access with your keypad code by entering 8008 to unlock the door.
- Make sure that the interior lights and fans come on (and stay on) after dead-bolting the lock.
- Stay in the pod for a minimum of one minute.

Tell Mamava Your Pod is Ready

- Take a horizontal photo of your pod in its installed location for our app. Be sure to remove any packing materials and get a nice, clean shot from 8' away!
- Locate the serial number on the white label inside the door frame (it starts with FCD or MMV - ####).
- Fill out all of the fields below and return this form along with the photo of your pod to service@mamava.com.

If you have any concerns or questions, do not hesitate to contact us directly at (802) 347-2111 and we will do whatever we can to help. If you've checked all of the above and you are satisfied with the installation, please sign the below indicating your approval. By signing the below, certifies the understanding and satisfaction with the pod(s) installation. Any installation changes and/or requests submitted to Mamava post installation may be subject to service fees.

Signature: _____ Date: _____

Name Print: _____ Serial #: _____