

mamava® XL V6 Assembly Guide

service@mamava.com
(802) 347-2111

Updated: 6/18/2024



Watch the
assembly video



mamava® XL V6 Assembly Guide

Shipping crate dimensions:

7'10" W x 4'7" D x 6' H

Assembled pod dimensions:

9'3" W x 5'6" D x 7'7" H (includes pod and antenna)

Minimum ceiling clearance required for assembly: **8'4"**

It takes **2 people** approximately **4 hours** to assemble a Mamava XL.

Table of Contents

Tools + Hardware.....	3
Parts: Wall Panels + Roof.....	4
Parts: Bench, Seat + Shelves.....	5
Warnings	6
Markings	7
Shipping Crate	8
Frame, Chassis + Seat Bases.....	9
Back Wall Panels	12
Front Wall Panels	18
Shelves, Seat + Bench	21
Roof Trays + Light Bars	28
Wiring.....	32
Shelf Tops, Graphics Panels + Door.....	36
Final Assembly + Testing	41
Notes.....	43

Tools + Hardware

Not included



Cordless Drill with #2 Phillips Bit

*For crate disassembly only



10 mm Wrench

13 mm Wrench

9/16" Wrench



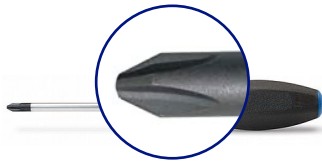
2-6' Step Ladder



Masking Tape



Label Maker (or Permanent Marker)



Phillips Head #2 Screwdriver



Work Gloves



Flat Head Screwdriver

Optional



Ratchet

9/16" + 13 mm Socket

Optional

Provided



5 mm Hex Key

16980



A x 12

11300 (M6 Nut)



B x 6

19755 (M6 x 16 mm Bolt)



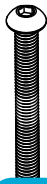
C x 46

21590 (M8 x 50 mm Bolt)



D x 52

21580 (M8 Nut)



E x 8

19860 (M8 x 80 mm Bolt)



F x 8

19865 (M8 Washer)



G x 8

19870 (M8 x 60 mm Bolt)



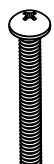
H x 22

16835 (M8 x 20 mm Bolt)



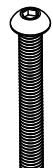
I x 2

19135 (M8 x 30 mm Bolt)



J x 2

16870 (1/4-20 x 2" Screw)



K x 12

19140 (M8 x 60 mm Bolt)



L x 2

20340 (M6 x 10 mm Bolt)



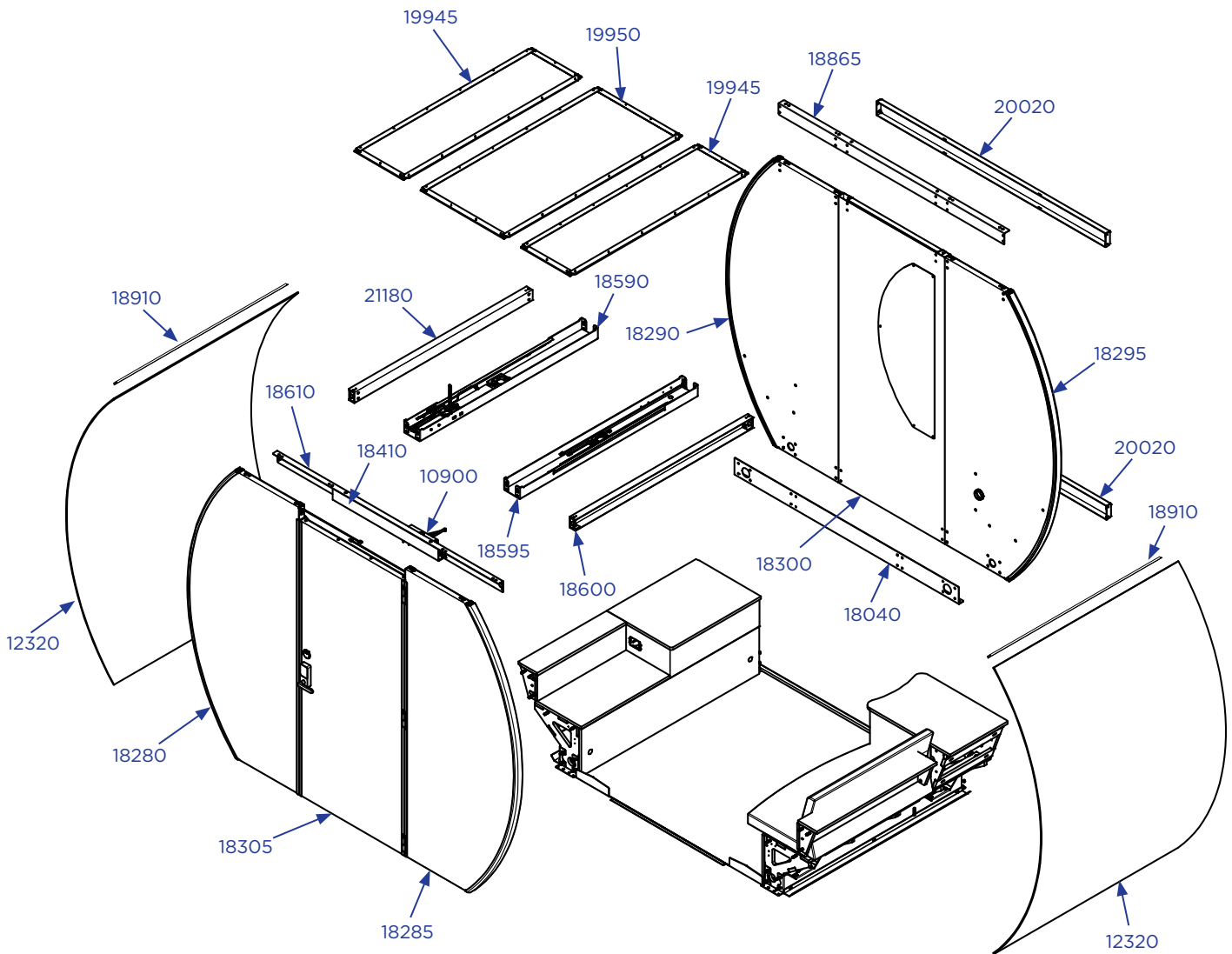
M x 2

10955 (1/4" x 1/2" Rivet)

Parts: Wall Panels + Roof

PART NUMBER	PART
10900	Door Closer
12320	Graphics Panel
18040	Back Wall Tray
18280	Wall Panel, Front Left
18285	Wall Panel, Front Right
18290	Wall Panel, Back Left
18295	Wall Panel, Back Right
18300	Wall Panel, Back Center
18305	Door
18410	Door Header Cover

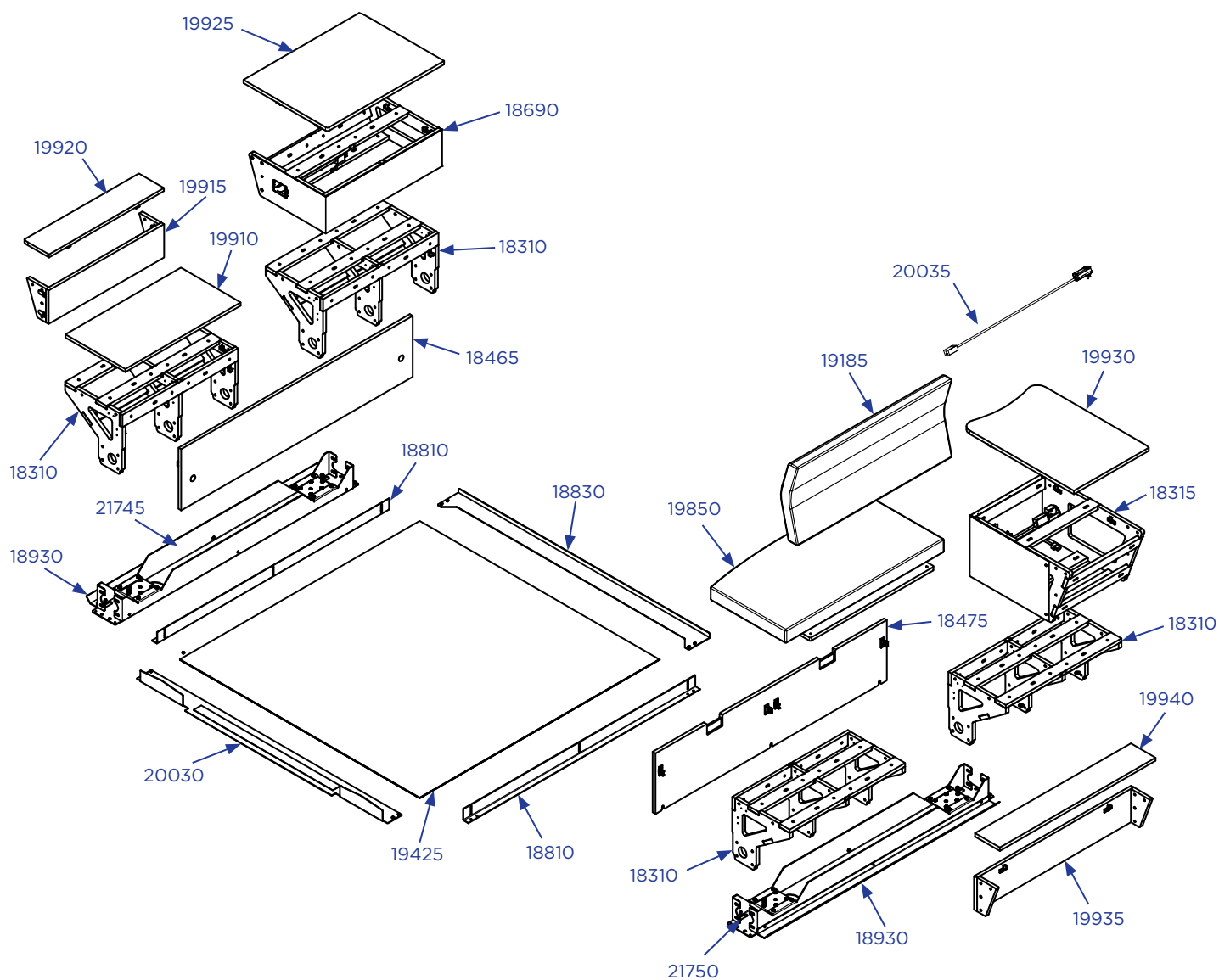
PART NUMBER	PART
18590	Roof Tray, Left
18595	Roof Tray, Right
18600	Light Bar, Right
18610	Door Header
18865	Wall Cap, Back
18910	Graphics Cap, Upper
19945	Roof Panel, Outer
19950	Roof Panel, Center
20020	Wire Cover
21180	Light Bar, Left



Parts: Bench, Seat + Shelves

PART NUMBER	PART
18310	Seat Base
18315	Shelf Base, Right
18465	Beauty Panel, Left
18475	Beauty Panel, Right
18690	Shelf Base, Left
18810	Floor Frame, Side
18830	Floor Frame, Back
18930	Graphics Cap, Lower
19185	Seatback
19425	Floor
19850	Seat Cushion

PART NUMBER	PART
19910	Bench Top
19915	Bench Backrest
19920	Bench Backrest Top
19925	Shelf Top, Left
19930	Shelf Top, Right
19935	Seat Backrest
19940	Seat Backrest Top
20030	Floor Frame, Front
20035	GFCI Cord
21745	Chassis, Left
21750	Chassis, Right



Warnings

To reduce risk of improper assembly:

Loosely tighten all hardware by hand unless otherwise instructed.

To reduce the risk of burns, fire, electric shock or injury to persons:



Read and understand the assembly guide and all safety instructions before assembly and use of this equipment.

Only assemble with tools as described in this assembly guide. Use of power tools in place of hand tools will damage hardware.

The weight of many components exceeds 40 lb. Two person lift required.

Do not climb on top of the pod or place any load on the roof of the pod.

Protective gloves should be worn during assembly, maintenance, or disassembly.

Always unplug this furnishing from the electrical outlet before cleaning or servicing. Unplug from outlet before putting on or taking off parts.

Close supervision is necessary when this furnishing is used by, or near, children or disabled persons.

Use this furnishing only for its intended use as described in these instructions.

Do not use attachments not recommended by the manufacturer.

Never operate this pod if it has a damaged plug or cord, is not working properly, has been dropped or damaged, or dropped into water. Return the furnishing to a service center for examination or repair.

Keep the cord away from heated surfaces.

Never operate the furnishing with the air openings blocked. Keep the air openings free of lint, hair, and the like.

Never drop or insert any object into any opening.

Do not use outdoors.

Do not operate where aerosol (spray) products are being used or where oxygen is being administered.

To disconnect, turn all controls to the off position, then remove the plug from the outlet.

Connect this furnishing to a properly grounded outlet only.

For loading, always put heavier items at the bottom and not near the top in order to help prevent the possibility of the furnishing tipping over.

Mount furnishings at the correct height.

Mount only approved work surfaces and secondary surfaces (shelves) in accordance with instructions. Failure to do so may cause instability, collapse, or failure of electrical components.

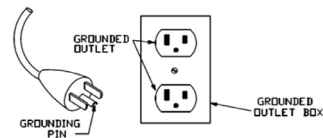
Maximum load for the seat is 300 lb (136 kg).

Maximum load for the bench is 200 lb (91 kg).

Maximum load for each shelf is 200 lb (91 kg).

Maximum load for each coat hook is 15 lb (7 kg).

This product is for use on a nominal 120-volt circuit and has a grounding plug (see illustration). Make sure that the product is connected to an outlet having the same configuration as the plug. No adapter should be used with this product.



Electrical ratings for the pod:

Branch Circuit: 120 vAC / 15 A / 50-60 Hz

Pod: 12 vDC / 7 A

Outlet: 120 vAC / 13.3 A

NOTICE

Markings

⚠ WARNING
Risk of fire and shock
Use only SJ00W type 12 AWG cord

⚠ AVERTISSEMENT
Risque d'incendie et de choc électrique
Utilisez uniquement un cordon SJ00W de grosseur 12 AWG

⚠ WARNING
Risk of tip over
Max 15 lb. load

⚠ AVERTISSEMENT
Risque de basculement
Charge maximale
6,8 kg (15 lb)

⚠ WARNING
Risk of Electric Shock, Fire and Injury
Review the assembly instructions to confirm the appropriate critical components and accessories are being used with the furnishing.

⚠ AVERTISSEMENT
Risque de choc électrique, d'incendie et de blessure
Lisez les instructions d'assemblage pour vérifier que les composants et accessoires essentiels appropriés sont utilisés avec la cabine.

Shipping Crate

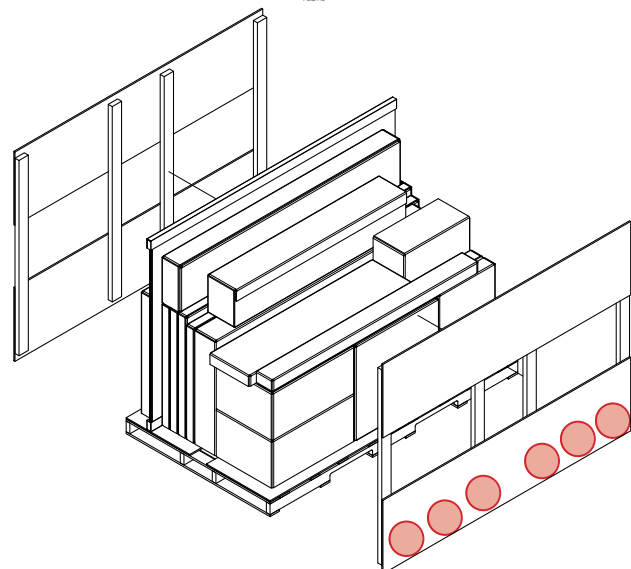
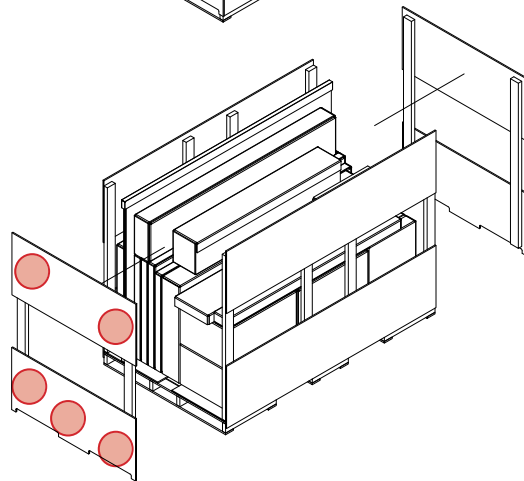
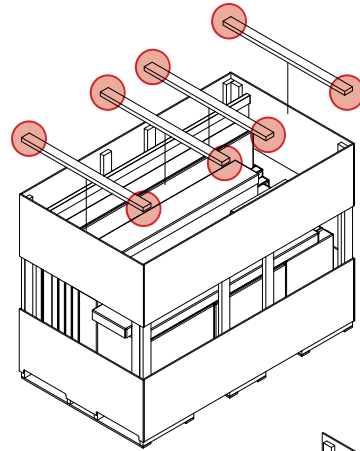
1. Use a cordless drill with a #2 Phillips bit to remove the screws from the crate cross braces.

If necessary, use a step ladder to reach the screws.

2. Remove the screws from the end panels of the crate.

3. Remove the screws from the side panels of the crate.

As you open boxes throughout the assembly process, inspect for damage that may have occurred during shipping. If you discover any damaged product, please submit the damage claim form.



Frame, Chassis + Seat Bases

PARTS

- Floor Frame, Front (20030)
- Floor Frame, Back (18830)
- Floor Frame, Side (18810)
- Floor (19425)
- Chassis, Left (21745)
- Chassis, Right (21750)
- Back Wall Tray (18040)
- Seat Base (18310)

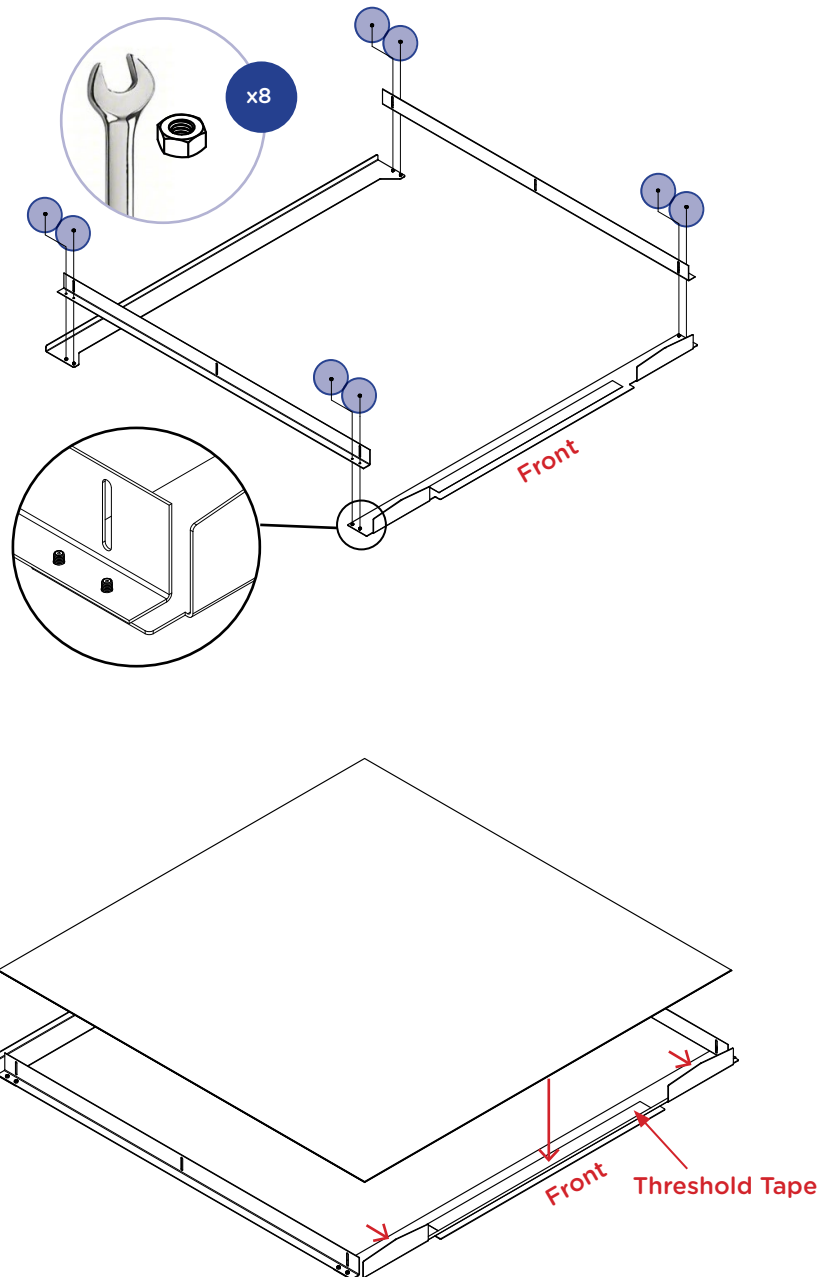
1. Assemble the Mamava XL pod as close to its final location as possible. Once a location is selected, ensure the floor is level and smooth.

2. Place the front floor frame (20030) and back floor frame (18830) at the pod site. The front floor frame has an adhesive strip in the middle.

Position the shorter edge of the side floor frames (18810) onto the studs of the front and back floor frames. Loosely fasten the side frames to the studs with (8) hardware A (11300).

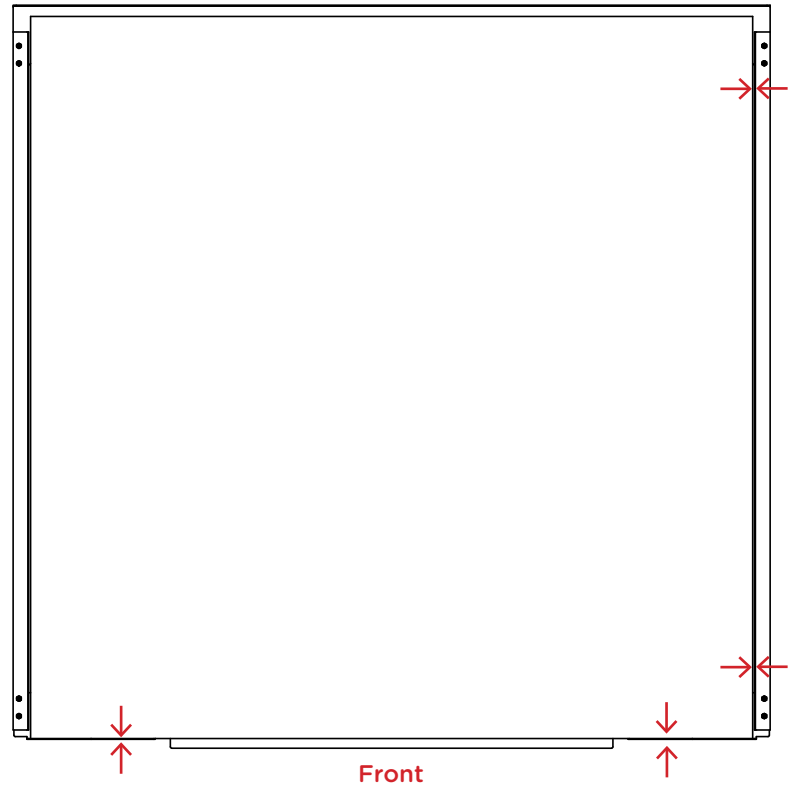
3. Place the floor (19425) inside the frame flush with the flanges on the front floor frame.

Once aligned, lift the front edge of the floor, remove the protective film from the floor frame, and press down firmly so the floor sticks to the adhesive strip.

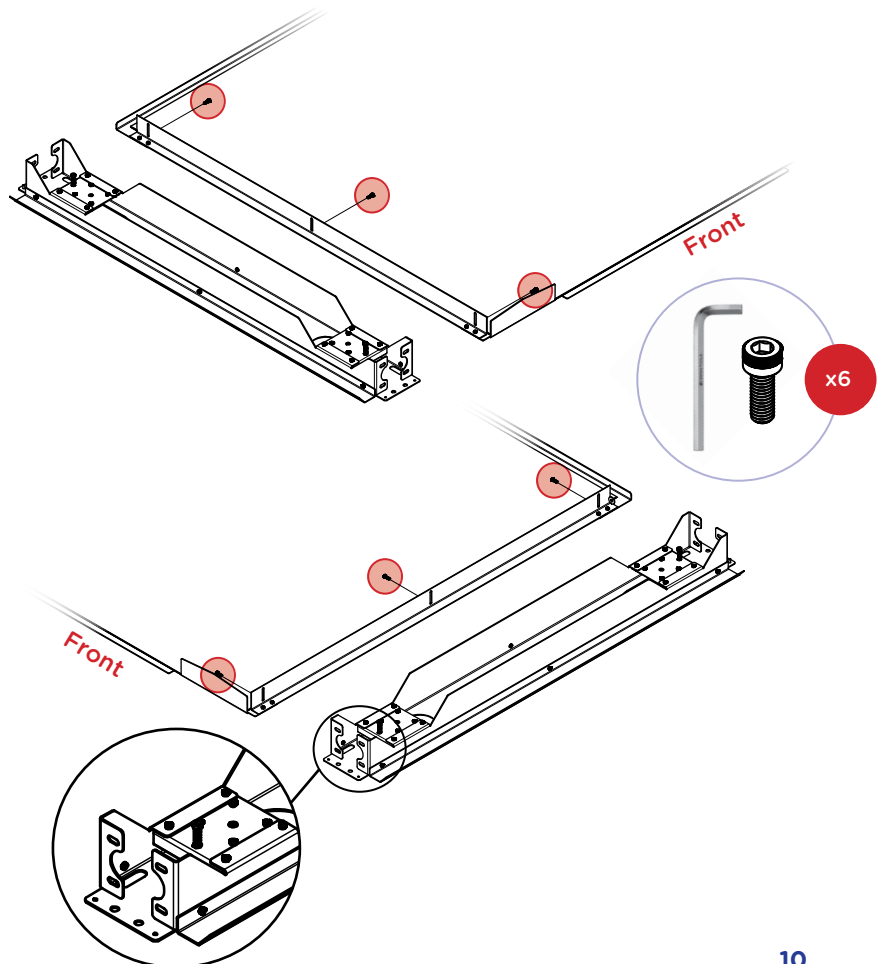


4. Check to make sure the floor and frame are square by ensuring there's an even gap on the two sides. It's helpful to look at a side edge to see whether the gap is consistent.

Then tighten the (8) hardware A (11300) with a 10 mm wrench.

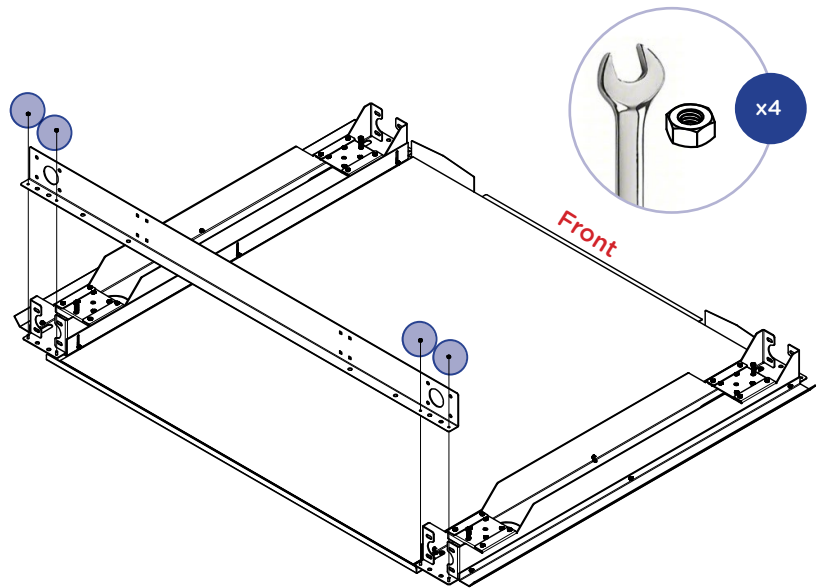


5. Place the left (21745) and right (21750) chassis onto the side floor frames and loosely fasten (6) hardware B (19755) with the hex key. The front of the chassis, indicated by a red arrow, should point to the front.



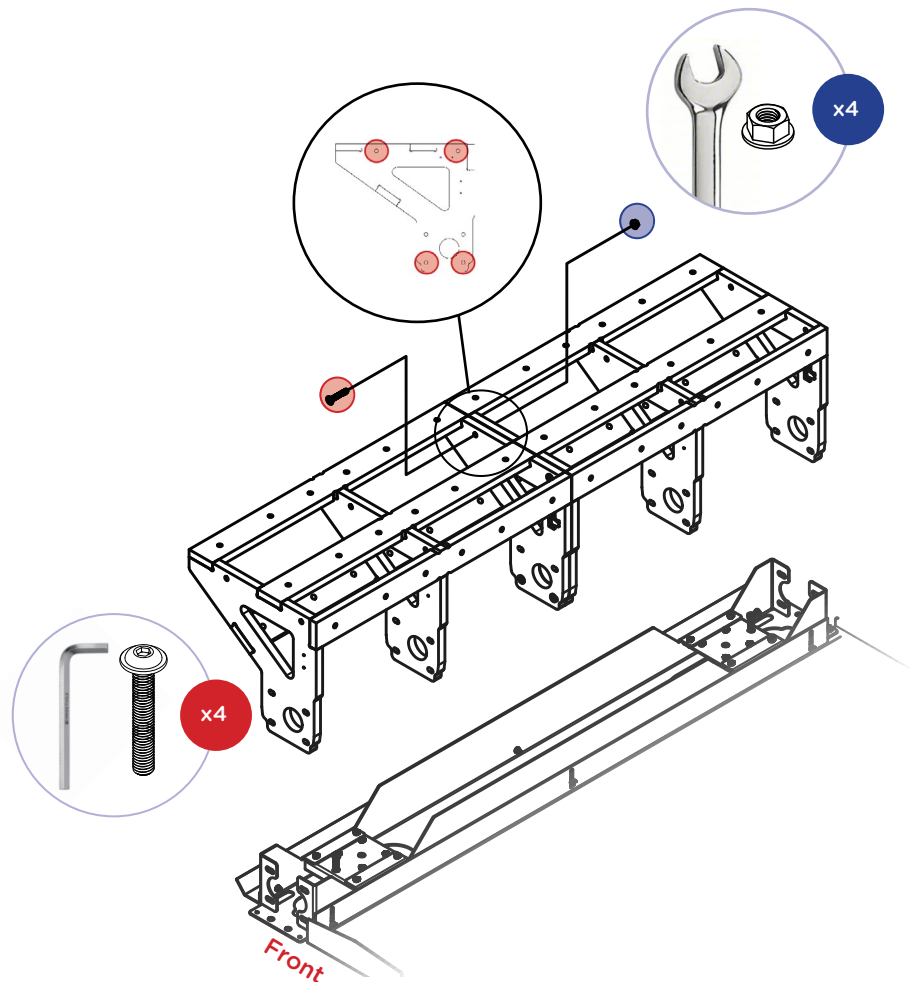
6. Position the back wall tray (18040)—with the shorter edge facing out—onto the studs at the back of each chassis. You may need to adjust the chassis and floor frame to get it onto the studs.

Use a 10 mm wrench to secure the back wall tray to the chassis with (4) hardware A.



7. Use the hex key and a 13 mm wrench to fasten (2) seat bases (18310) together with (4) hardware C (21590) and (4) hardware D (21580). Place the seat bases into a chassis.

Repeat for the other (2) seat bases (18310).



Back Wall Panels

PARTS

- Wall Panel, Back Left (18290)
- Wall Cap, Back (18865)
- Wall Panel, Back Center (18300)
- Wall Panel, Back Right (18295)

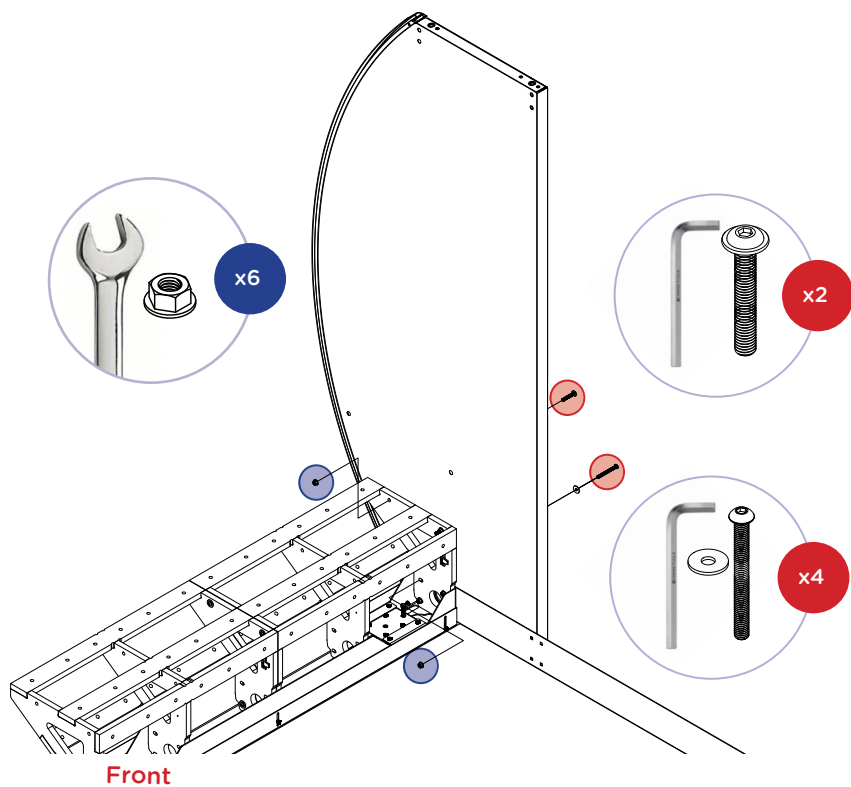
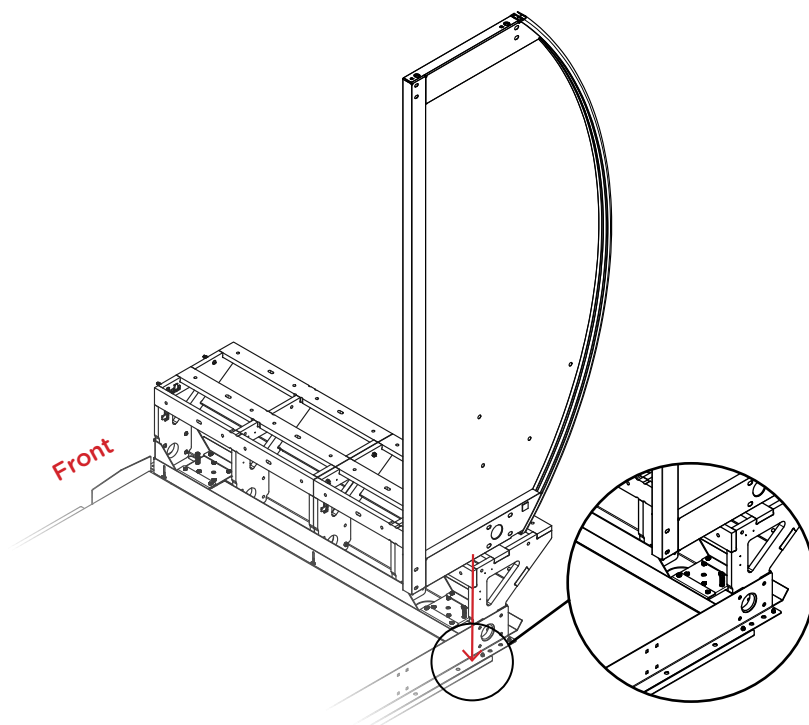
1. Position the back left wall panel (18290) onto the back wall tray. Align the large hole on the wall panel with the large hole on the back wall tray.

Have a helper hold the panel to provide support and alignment.

2. Use the hex key and a 13 mm wrench to loosely fasten the back left wall panel to the upper portion of the seat base with (2) hardware C (21590) and (2) hardware D (21580).

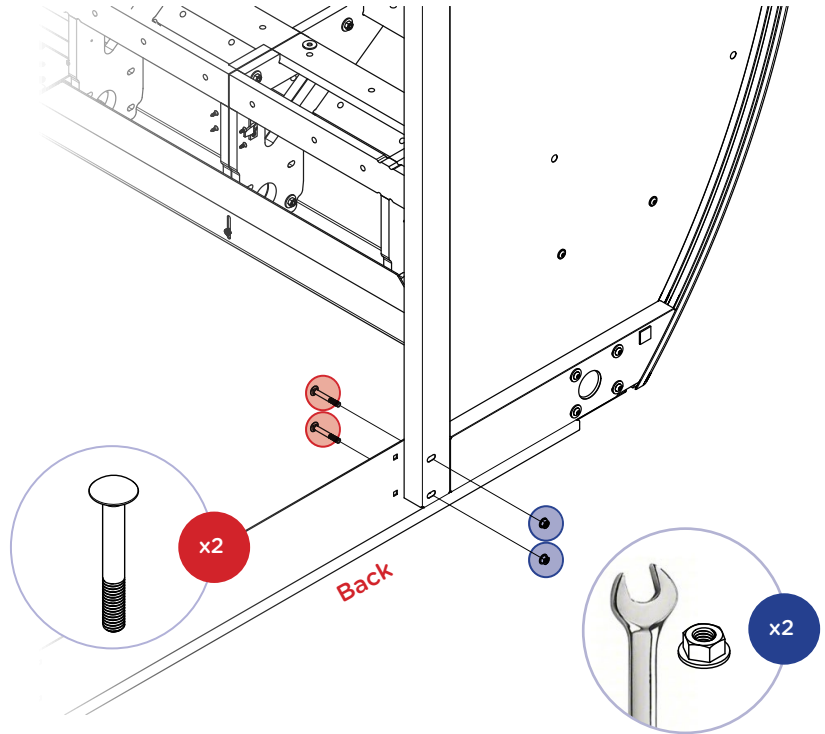
Repeat for the lower portion of the seat base with (4) hardware E (19860), (4) hardware F (19865), and (4) hardware D (21580).

Insert screws from the exterior and tighten with a nut from the interior. If the screws don't align, you may need to reposition the wall panel.



3. Loosely fasten the back left wall panel to the back wall tray with (2) hardware G (19870) and (2) hardware D (21580).

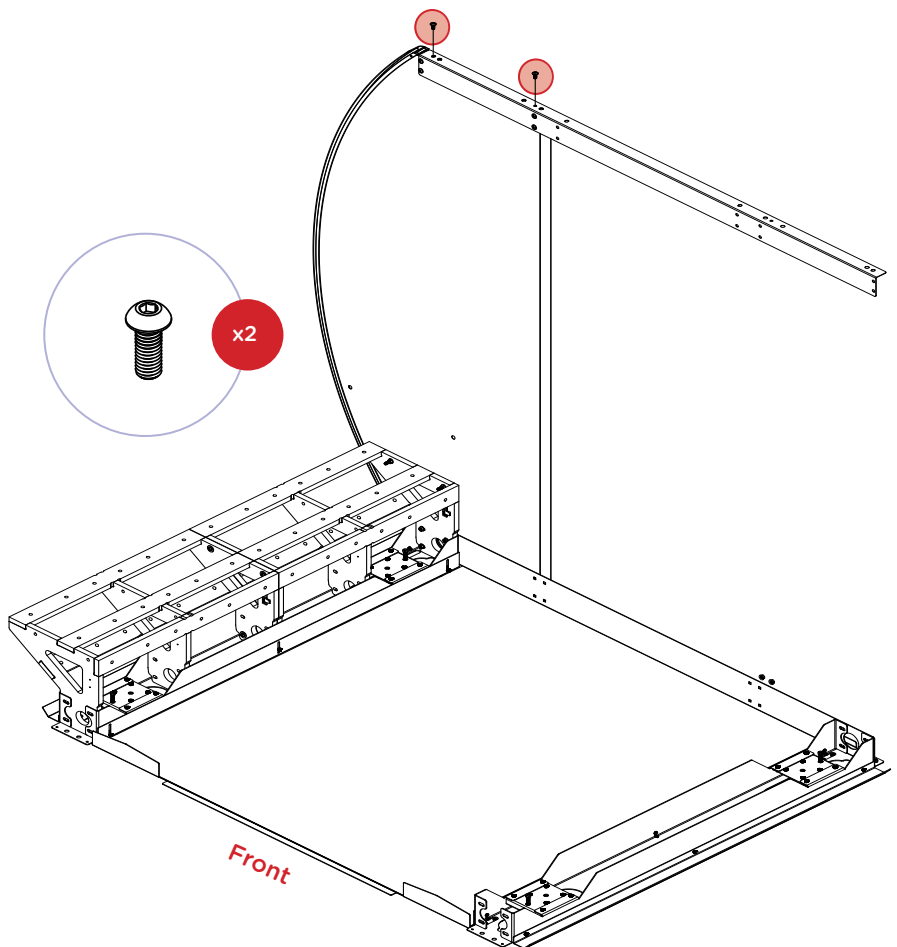
Ensure the square bolt is fully seated into the square hole in the back wall tray.



4. Using a ladder, place the back wall cap (18865) on top of the back left wall panel. **Do not stand on the chassis.**

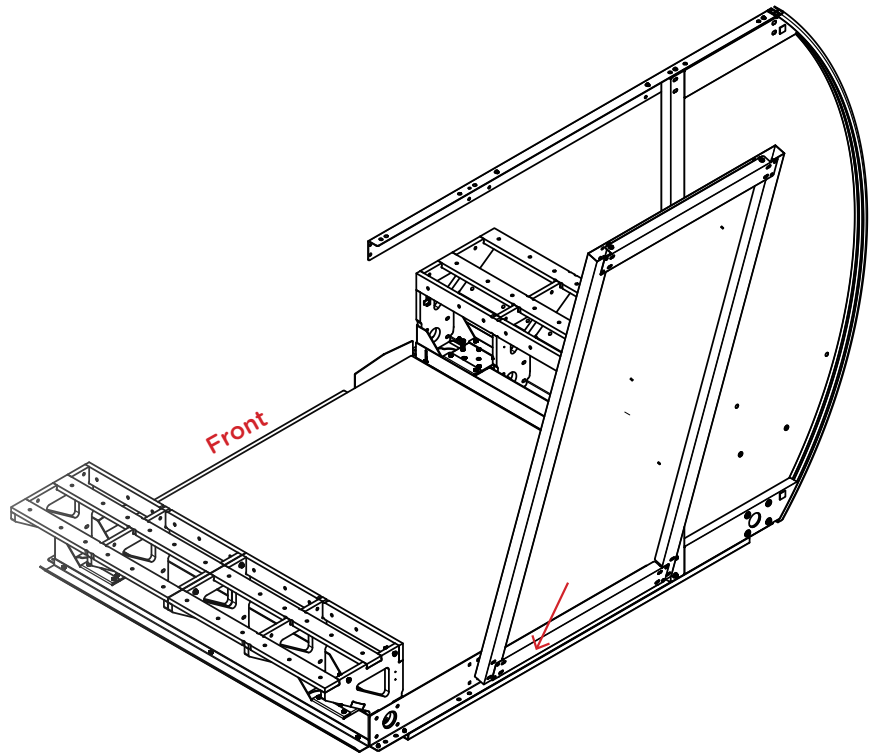
Have a helper hold one end of the wall cap while you align the holes of the cap with the holes on the inside of the wall panel.

Loosely fasten the back wall cap to the top of the back left wall panel with (2) hardware H (16835).

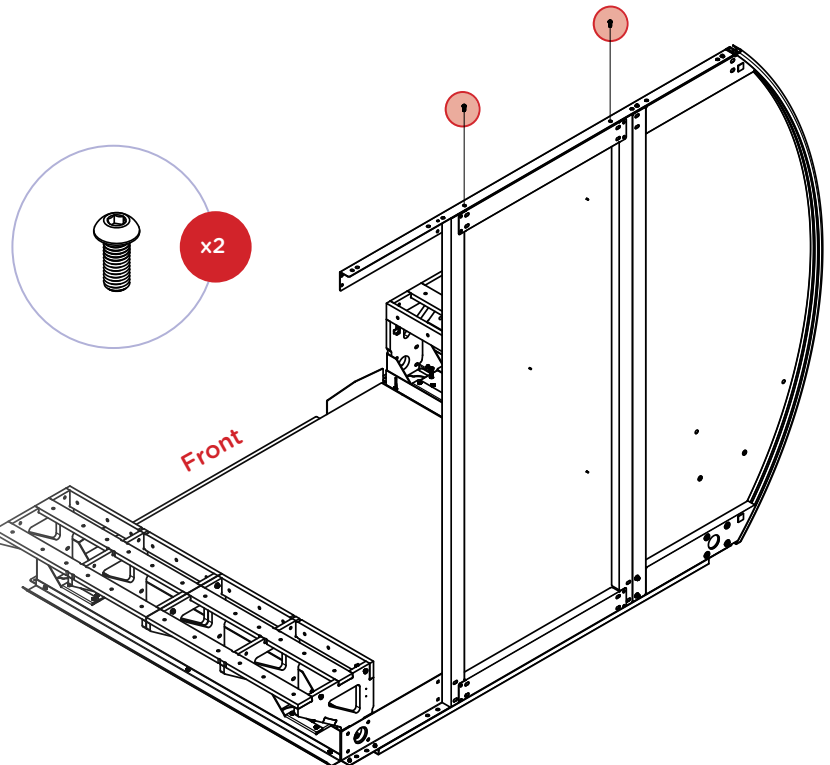


5. Position the back center wall panel (18300) between the back wall cap and back wall tray.

Have a helper hold the panel to provide support and alignment.

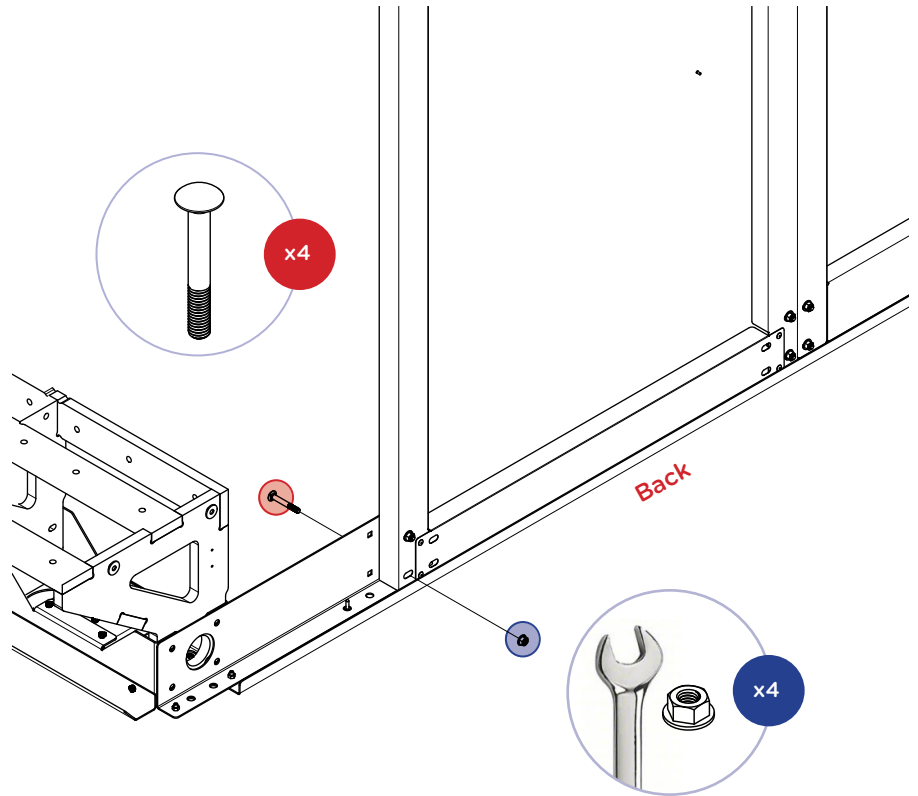


6. Loosely fasten the back wall cap to the back center wall panel with (2) hardware H (16835).



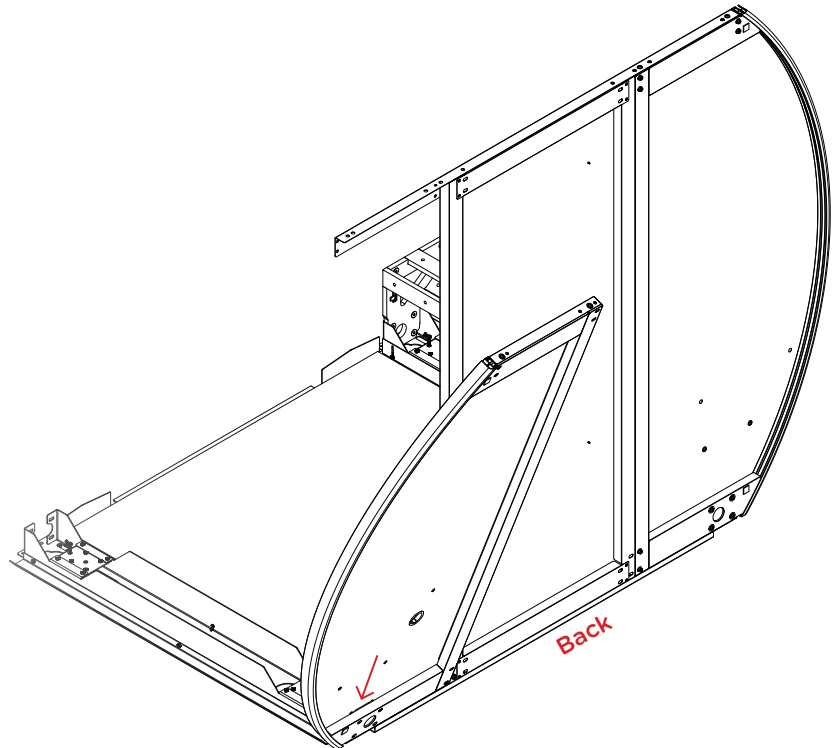
7. Loosely fasten the back center wall panel to the back wall tray with (4) hardware G (19870) and (4) hardware D (21580).

Insert the bolts from the interior and ensure the square bolt is fully seated into the square hole in the back wall tray.



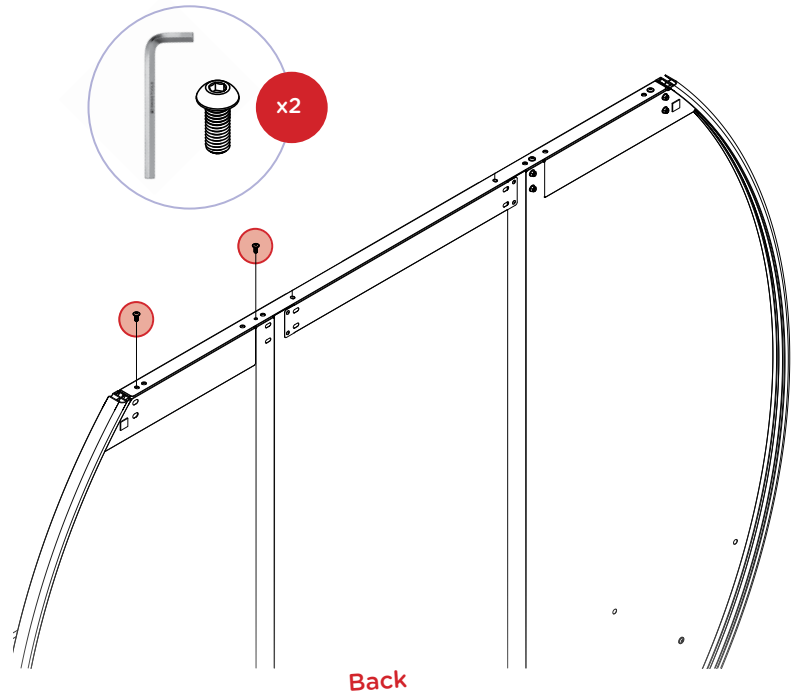
8. Insert the back right wall panel (18295) into the back wall tray at an angle. It should be flush against the back center wall panel.

Have a helper hold the panel to provide support and alignment.



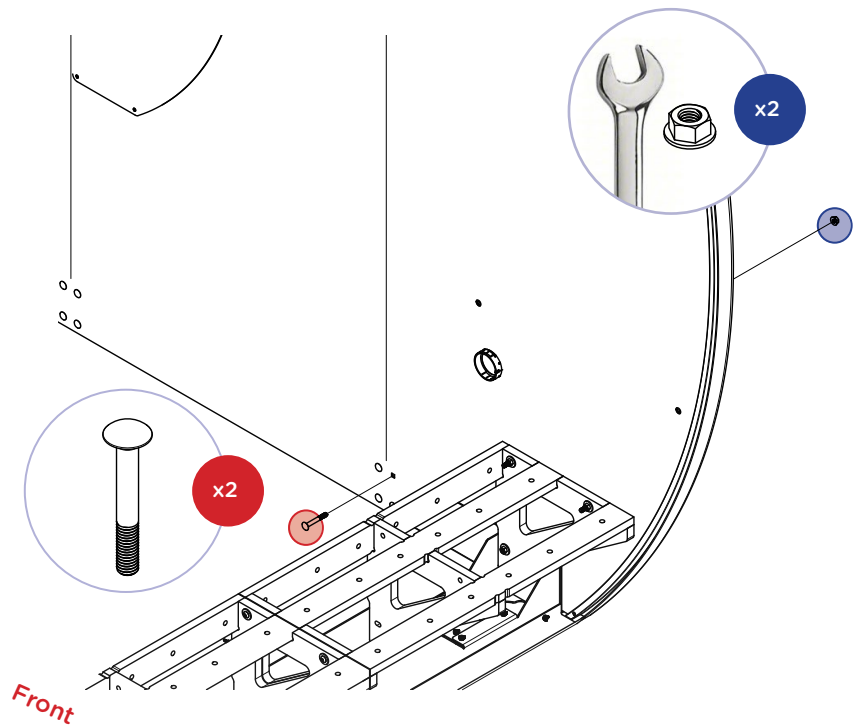
9. Loosely fasten the back wall cap to the back right wall panel with (2) hardware H (16835).

Have a helper push on the side of the back right wall panel to support alignment.



10. Loosely fasten the back right wall panel to the back wall tray with (2) hardware G (19870) and (2) hardware D (21580).

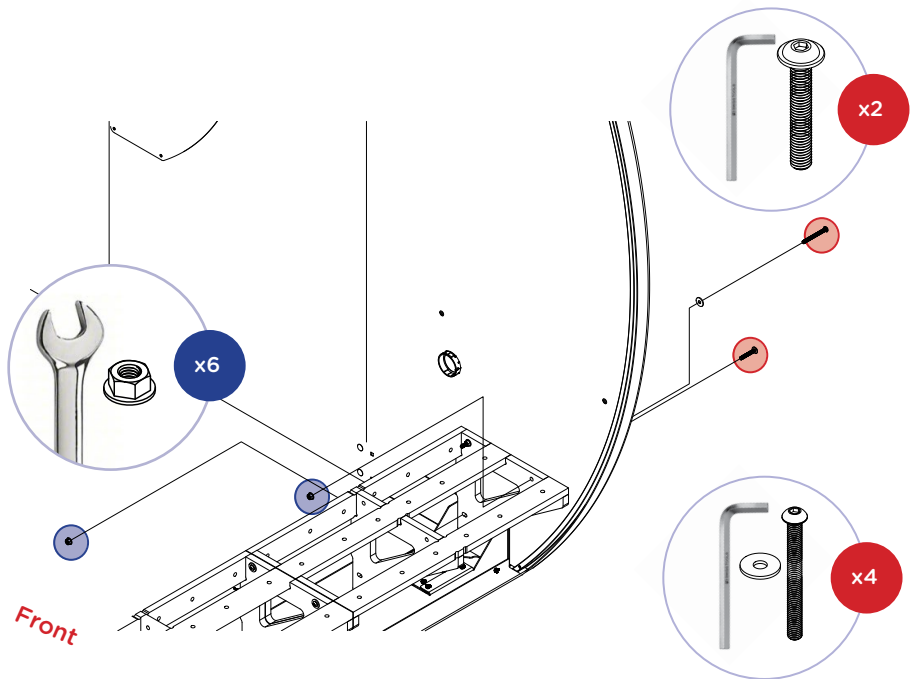
Ensure the square bolt is fully seated into the square hole in the back wall tray.



11. Loosely fasten the back right wall panel to the upper portion of the seat base with (2) hardware C (21590) and (2) hardware D (21580).

Repeat for the lower portion of the seat base with (4) hardware E (19860), (4) hardware F (19865), and (4) hardware D (21580).

Insert screws from the exterior and tighten with a nut from the interior. If the screws don't align, you may need to reposition the wall panel.



12. Tighten all hardware installed in this section.

Front Wall Panels

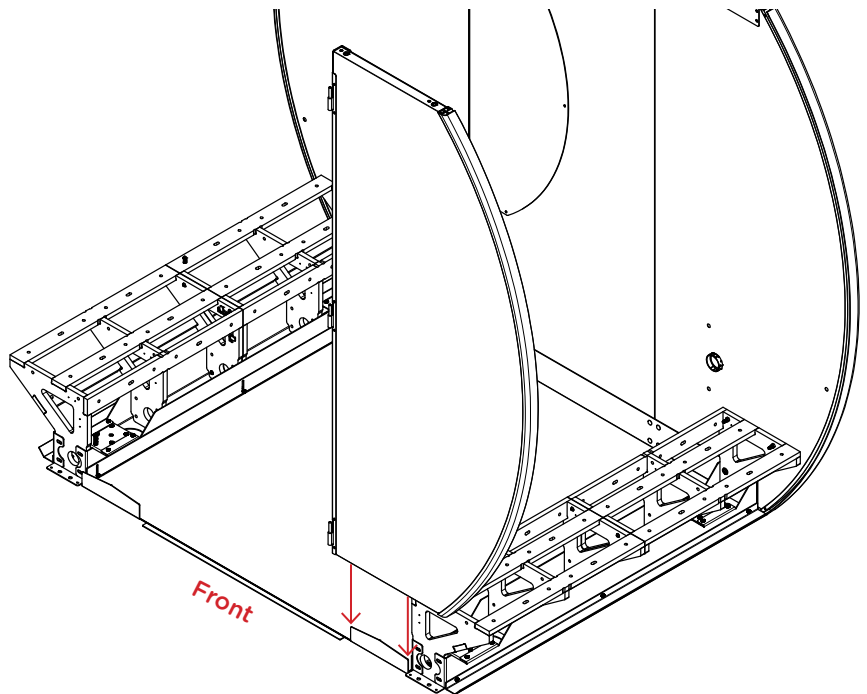
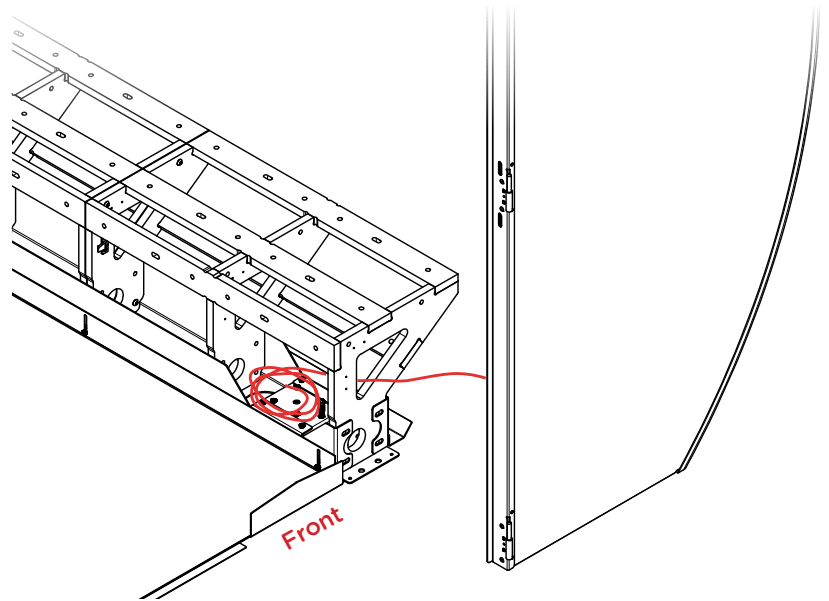
PARTS

- Wall Panel, Front Right (18285)
- Wall Panel, Front Left (18280)
- Door Header (18610)

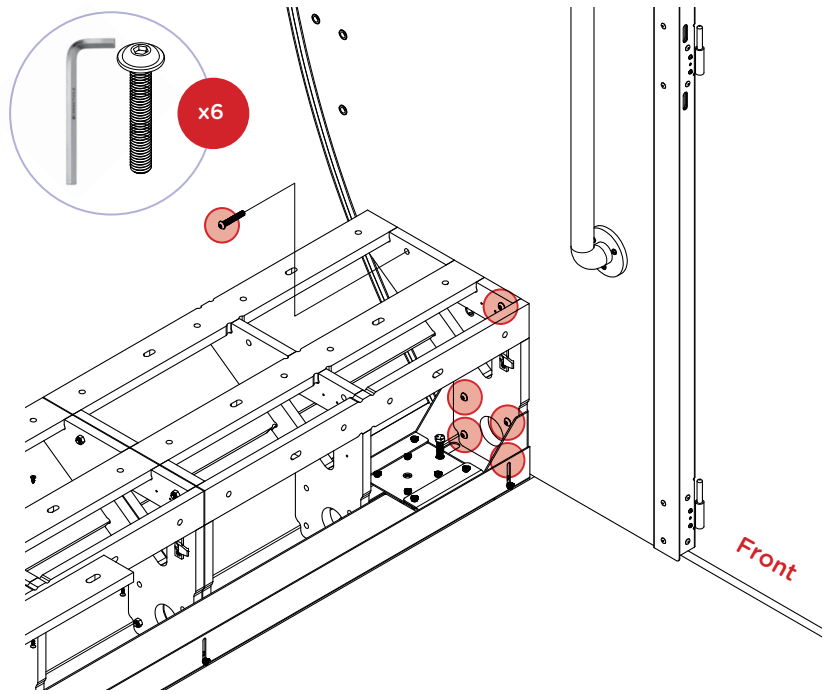
1. Position the front right wall panel (18285) near the front right seat base and insert the wire through the cutout in the seat base.

2. Align the edge of the front right wall panel with the floor frame flange. Then lower the wall panel onto the flange.

Have a helper hold the panel to provide support.

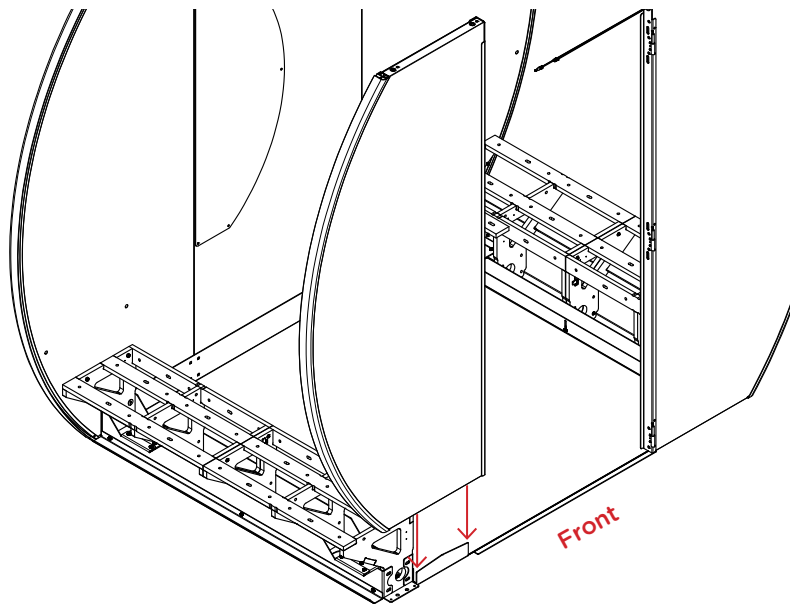


3. Loosely fasten the wall panel to the seat base with (6) hardware C (21590).

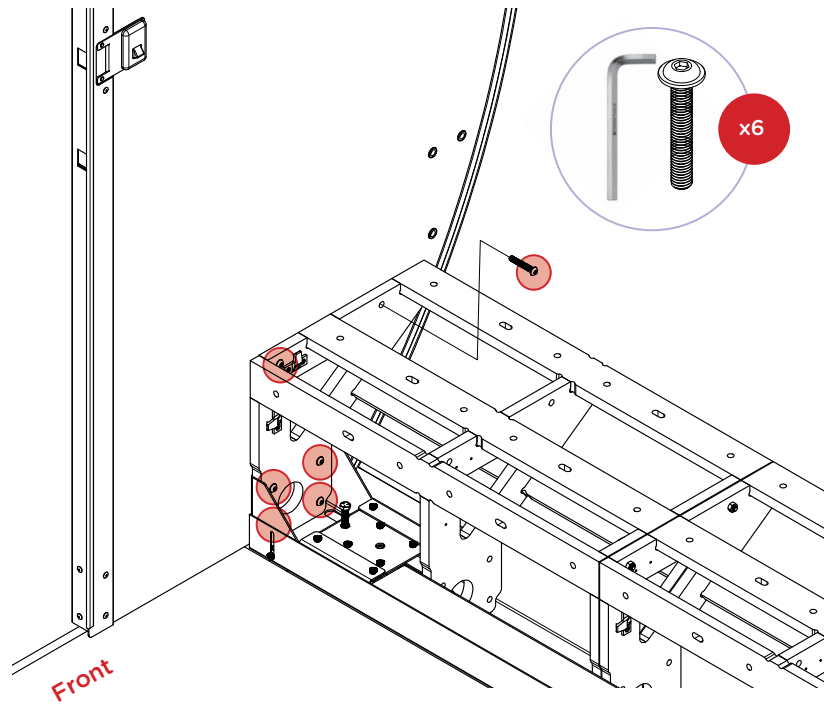


4. Align the edge of the front left wall panel (18280) with the floor flange. Then lower the wall panel onto the flange.

Have a helper hold the panel to provide support.



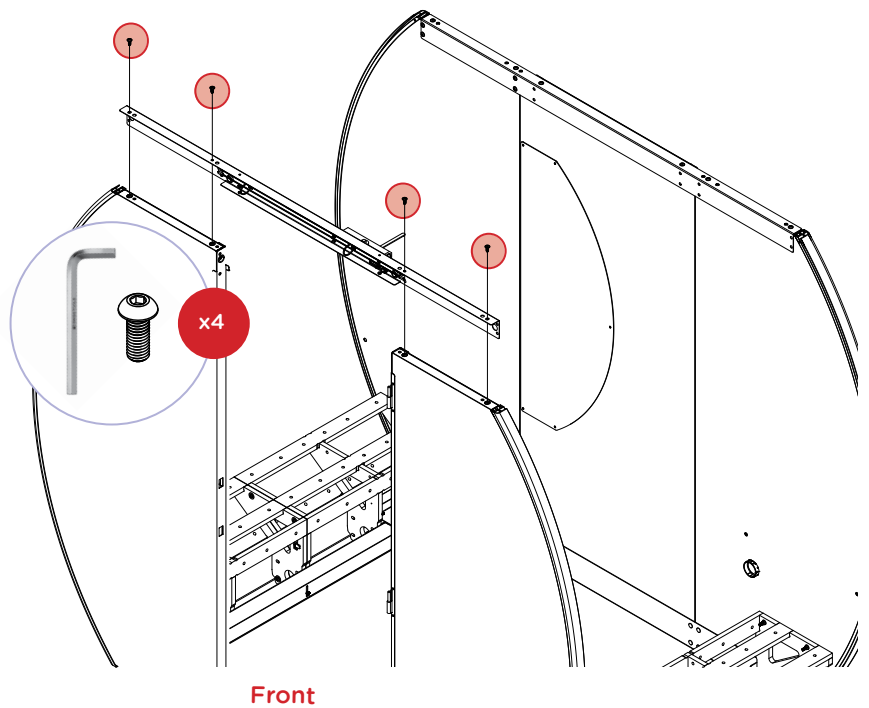
5. Loosely fasten the wall panel to the seat base with (6) hardware C (21590).



6. Have a helper hold the door header (18610). Then thread the electrical wires (from both wall panels) through the holes on the far ends of the door header.

Loosely fasten the door header to the front wall panels with (4) hardware H (16835).

Have a helper push on the sides of the front wall panels to align the holes.



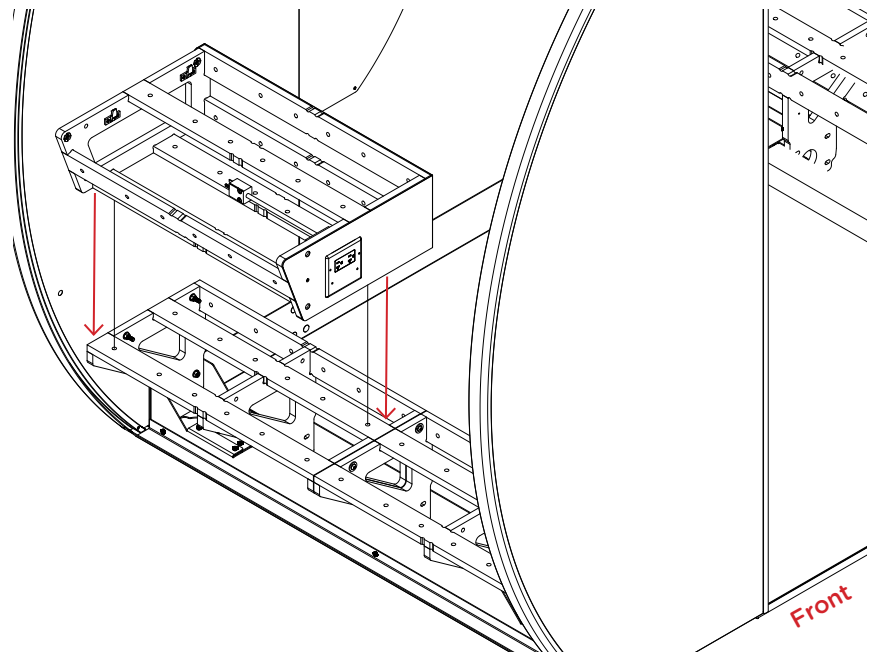
7. Tighten all hardware installed in this section.

Shelves, Seat + Bench

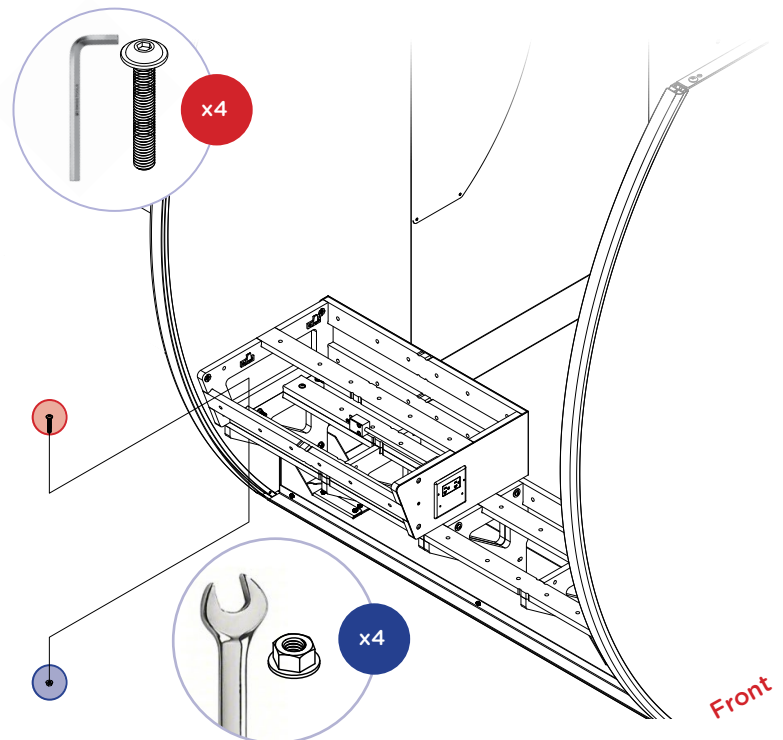
PARTS

- Shelf Base, Left (18690)
- Shelf Top, Left (19925)
- Shelf Base, Right (18315)
- Seat Cushion (19850)
- Seat Backrest (19935)
- Seat Backrest Top (19940)
- Bench Top (19910)
- Bench Backrest (19915)
- Bench Backrest Top (19920)
- Seatback (19185)

1. Place the left shelf base (18690) onto the back left seat base.

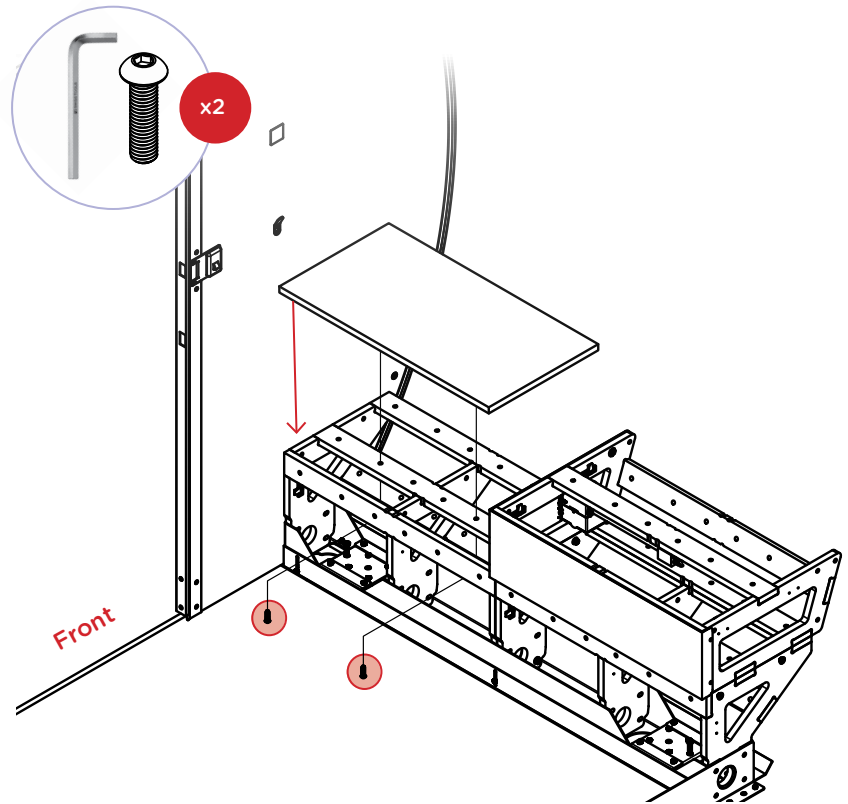


2. Loosely fasten the shelf base to the seat base with (4) hardware C (21590) and (4) hardware D (21580).

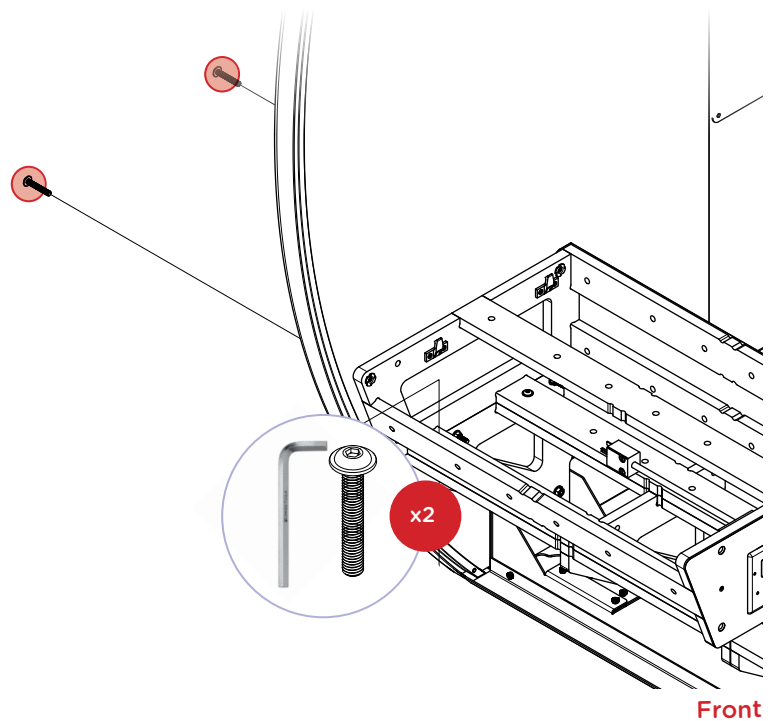


3. Place the bench top (19910) onto the front left seat base at an angle (starting at the shelf base) until it sits flush.

Use the hex key to fasten the bench top to the seat base with (2) hardware I (19135).



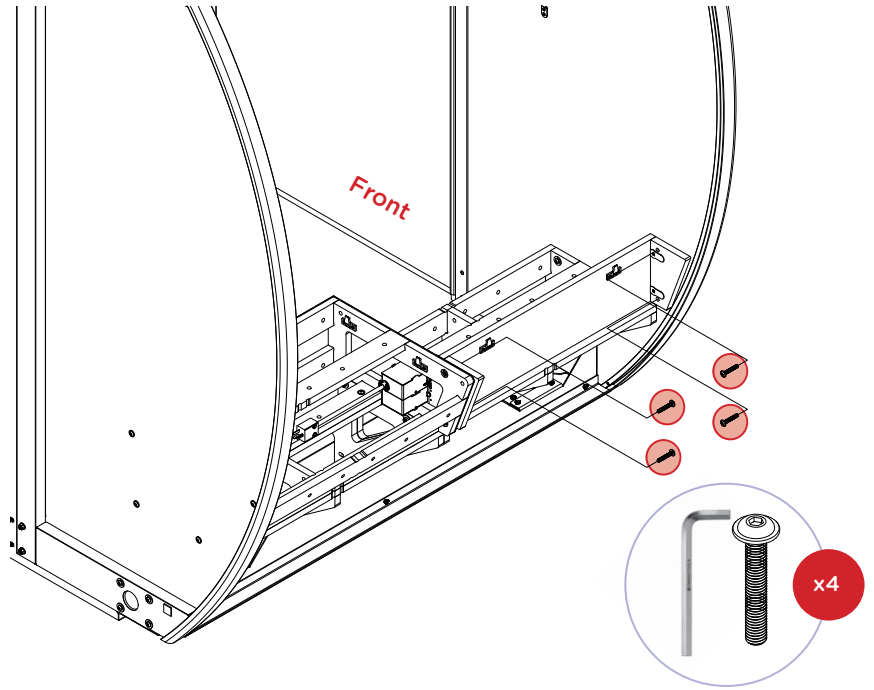
4. Loosely fasten the left shelf base to the back left wall panel with (2) hardware C (21590).



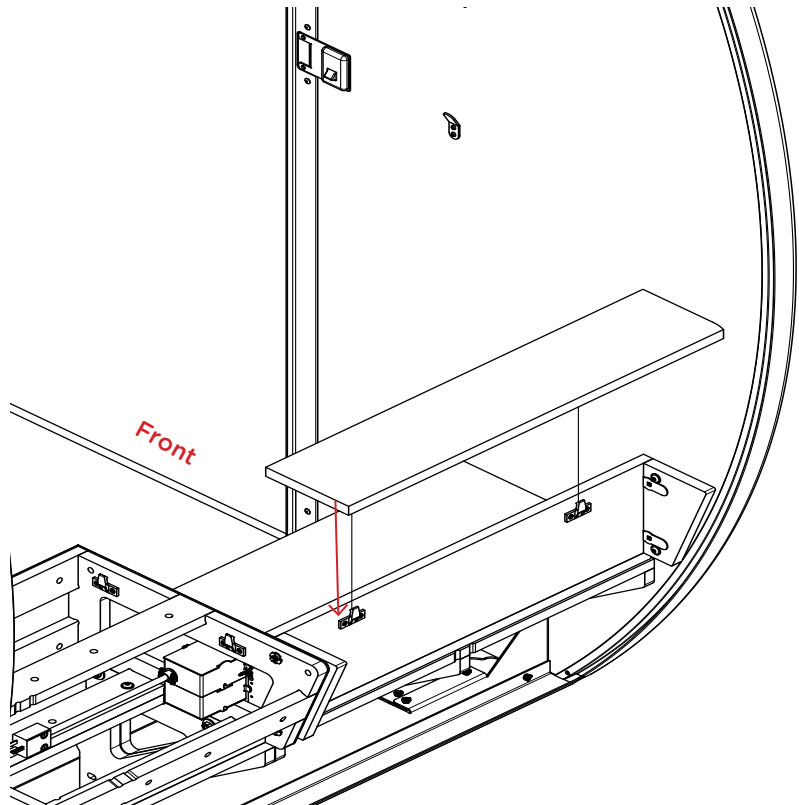
5. Place the bench backrest (19915) on the bench.

Loosely fasten the backrest to the left shelf base with (2) hardware C (21590).

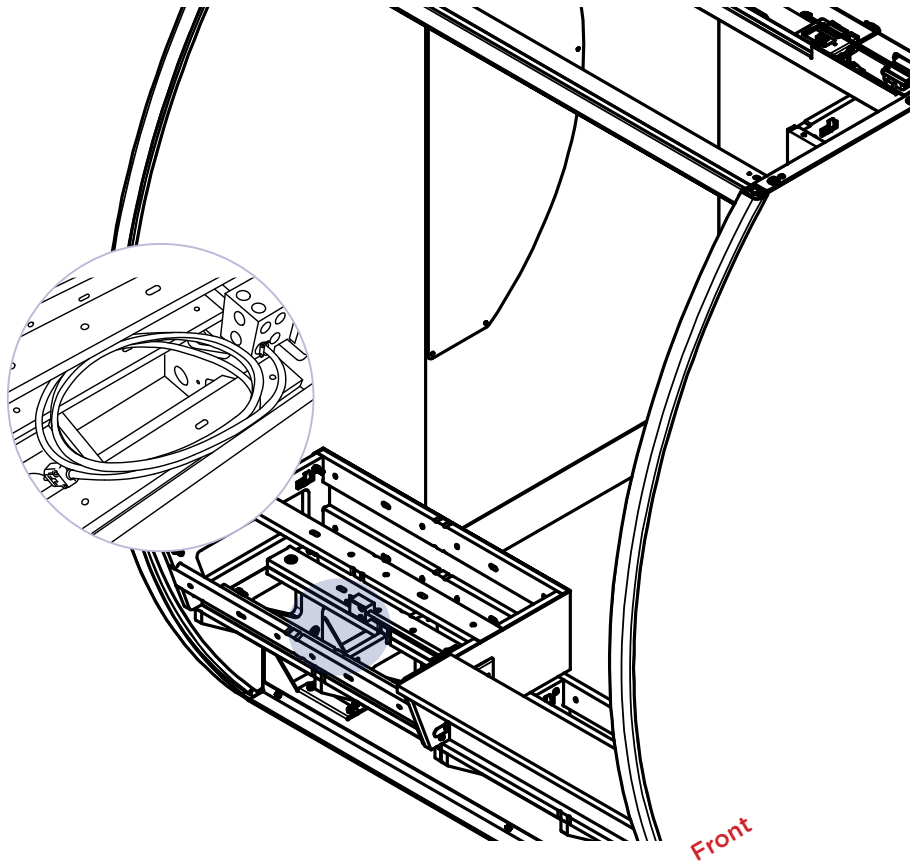
Then loosely fasten the backrest to the front left wall panel with (2) hardware C (21590).



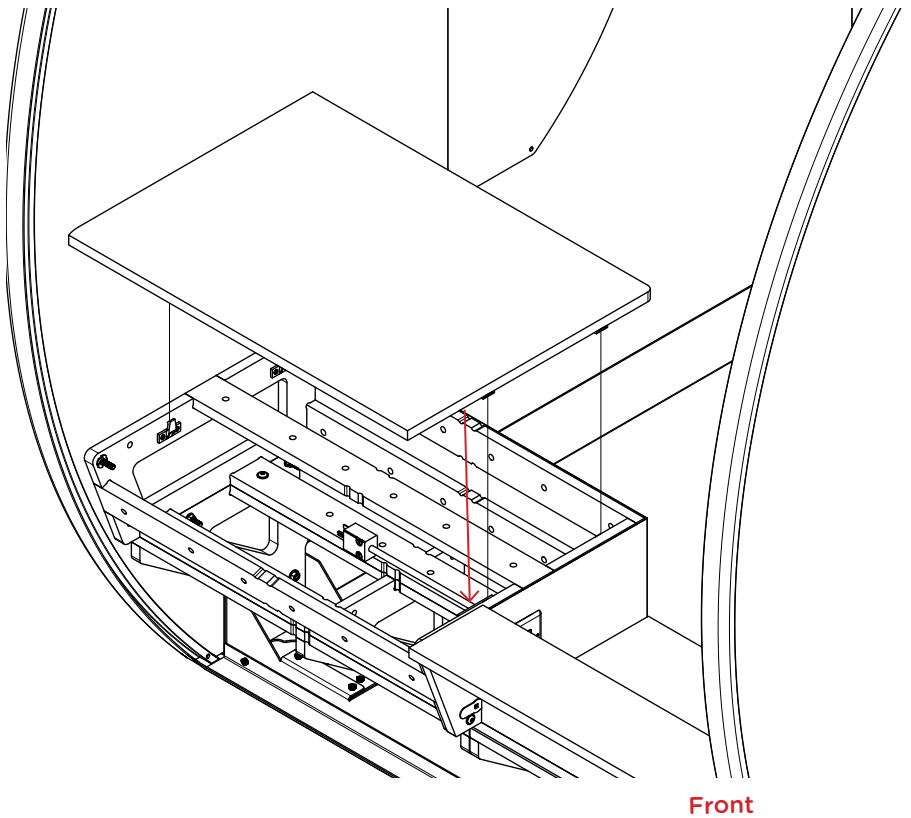
6. Install the bench backrest top (19920) by aligning the black clips and pushing down to snap into place.



7. Remove the zip tie from the power cord in the left shelf. Thread the whole length of the cord through the shelf base and out the hole in the back left corner.



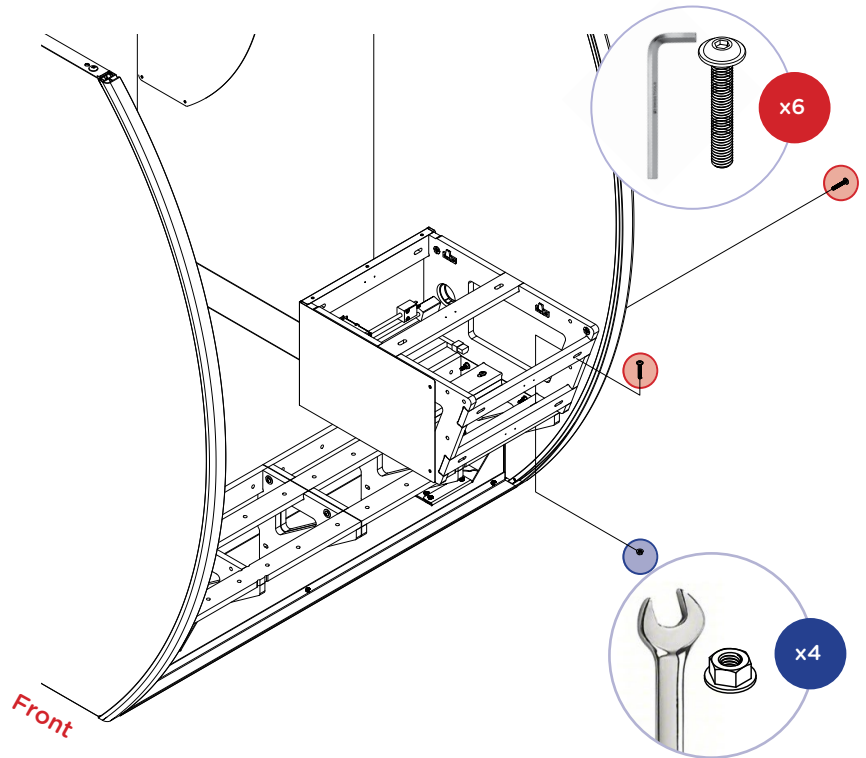
8. Install the left shelf top (19925) by aligning the black clips and pushing down to snap into place.



9. Place the right shelf base (18315) onto the seat base against the back right wall panel.

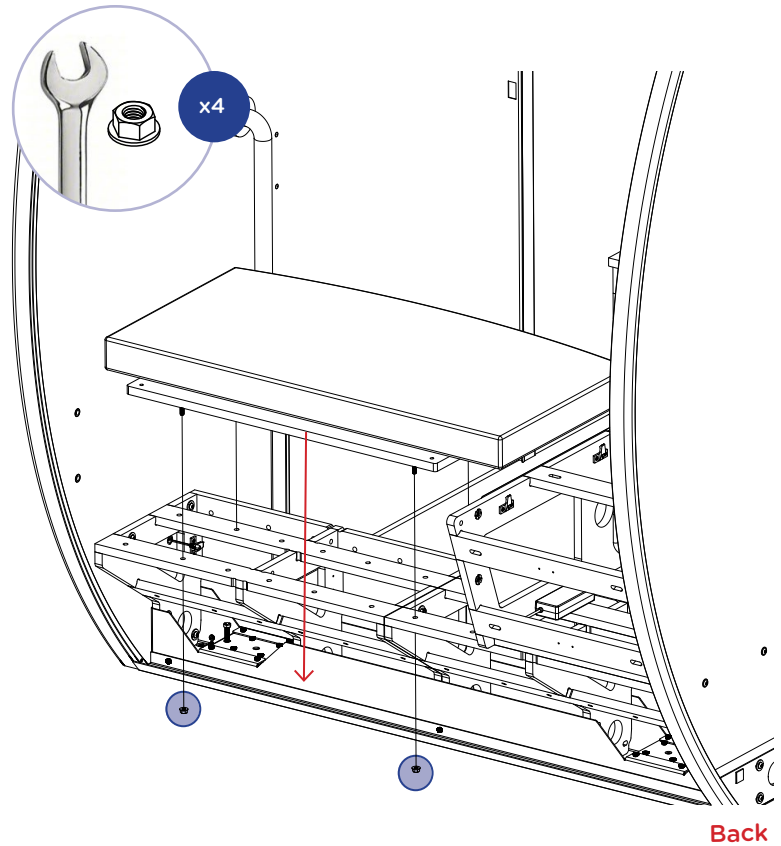
Use the hex key and a 13 mm wrench to fasten the shelf base to the seat base with (4) hardware C (21590) and (4) hardware D (21580).

Use the hex key to fasten the shelf base to the back right wall panel with (2) hardware C (21590).



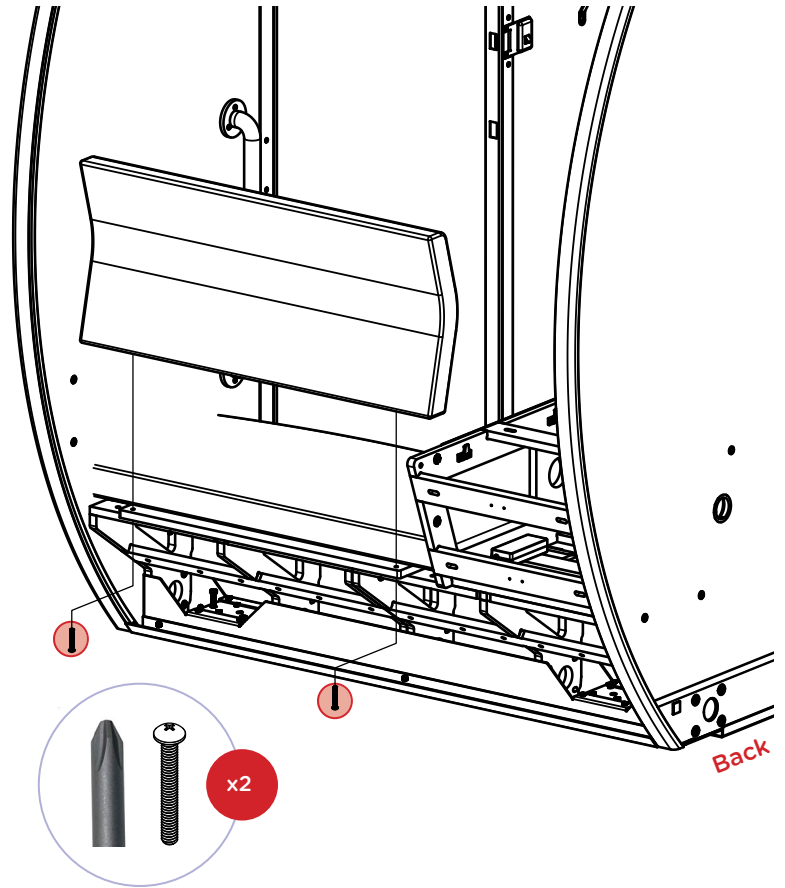
10. Align the bolts of the seat cushion (19850) with the holes in the seat base.

Use a 13 mm wrench to fasten the seat cushion to the seat base with (4) hardware D (21580).



11. Loosely fasten the seatback (19185) to the seat cushion with (2) hardware J (16870).

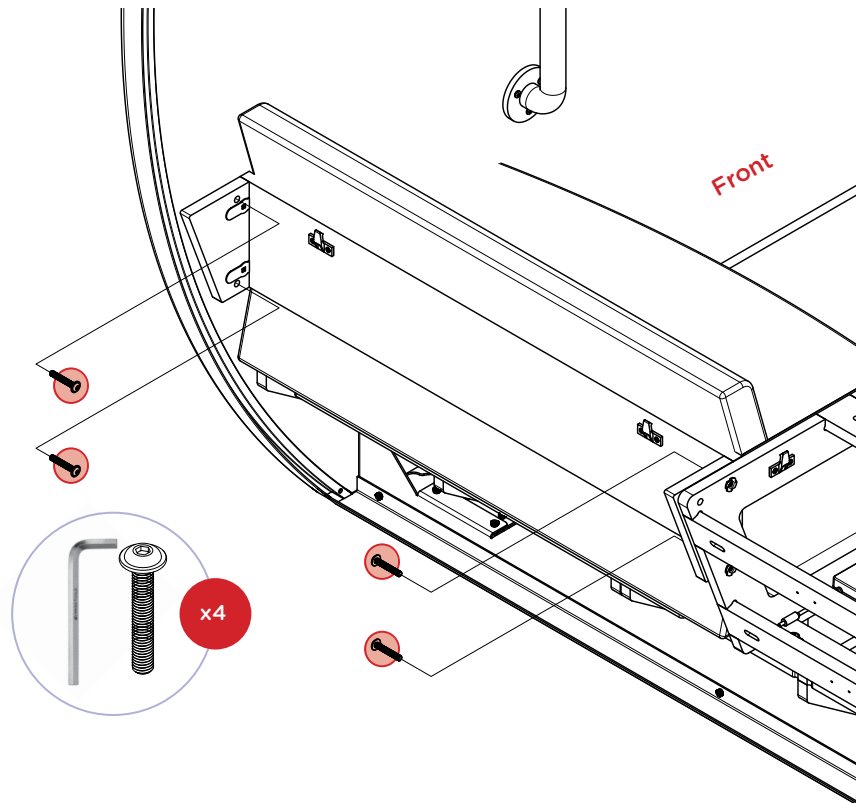
Have a helper hold the seatback while you fasten it in place.



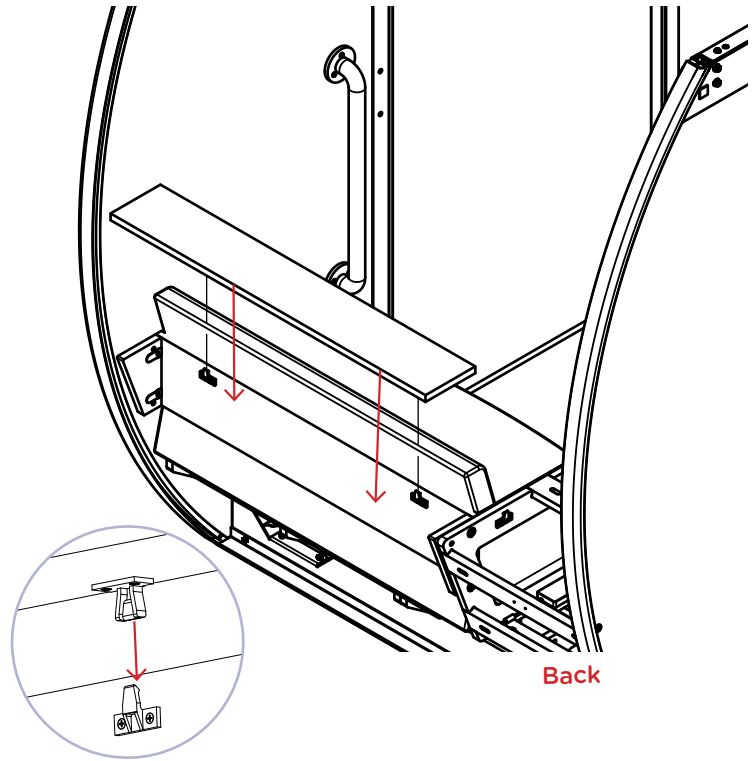
12. Use the hex key to secure the seat backrest (19935) to the right shelf with (2) hardware C (21590).

Use the hex key to secure the seat backrest to the front right wall panel with (2) hardware C (21590).

Have a helper hold the seatback while hardware is installed.



13. Install the seat backrest top (19940) by aligning the black clips and pushing down to snap into place.



14. Tighten all hardware installed in this section.

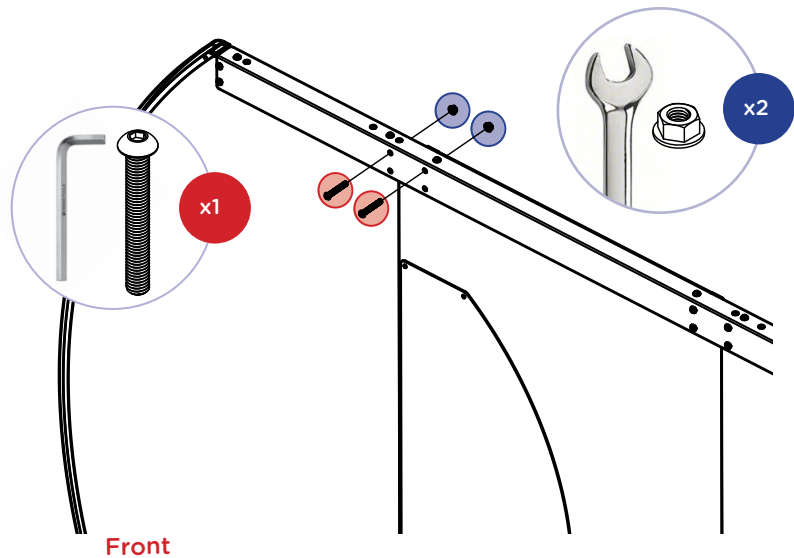
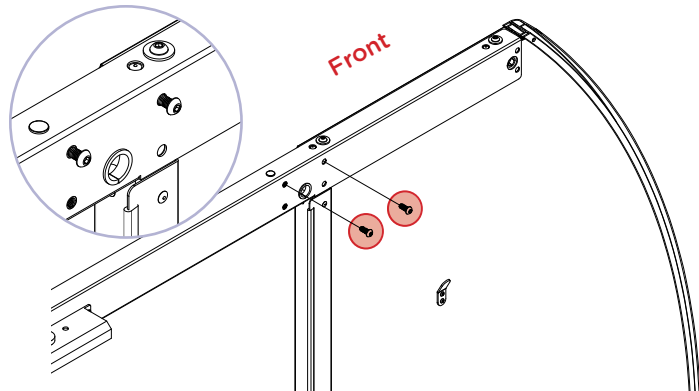
Roof Trays + Light Bars

PARTS

- Roof Tray, Left (18590)
- Roof Tray, Right (18595)
- Light Bar, Right (18600)
- Light Bar, Left (21180)

1. Using a ladder, loosely thread (2) hardware H (16835) into the top two holes of the inner left door header. Leave them sticking out about 1/2 an inch.

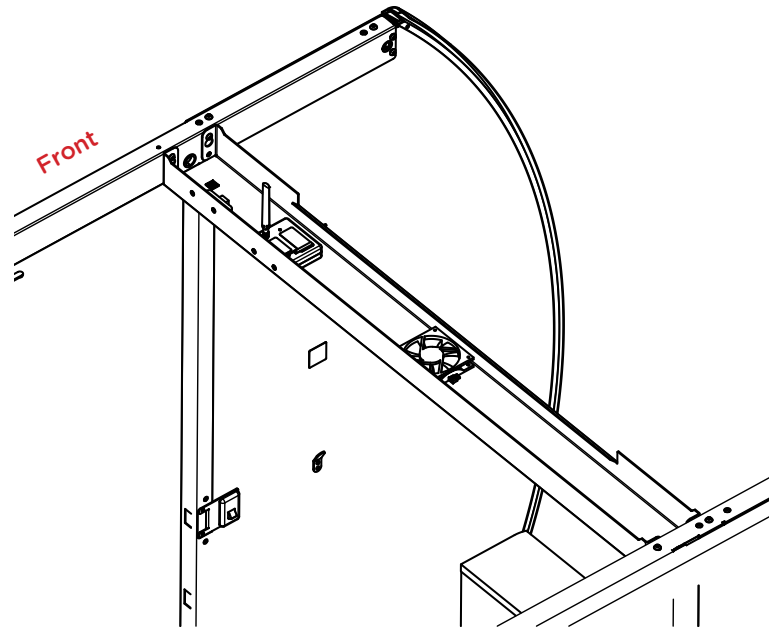
2. Loosely thread (2) hardware K (19140) and (2) hardware D (21580) into the top two holes on the back wall cap. Again, leave them sticking out about 1/2 an inch.



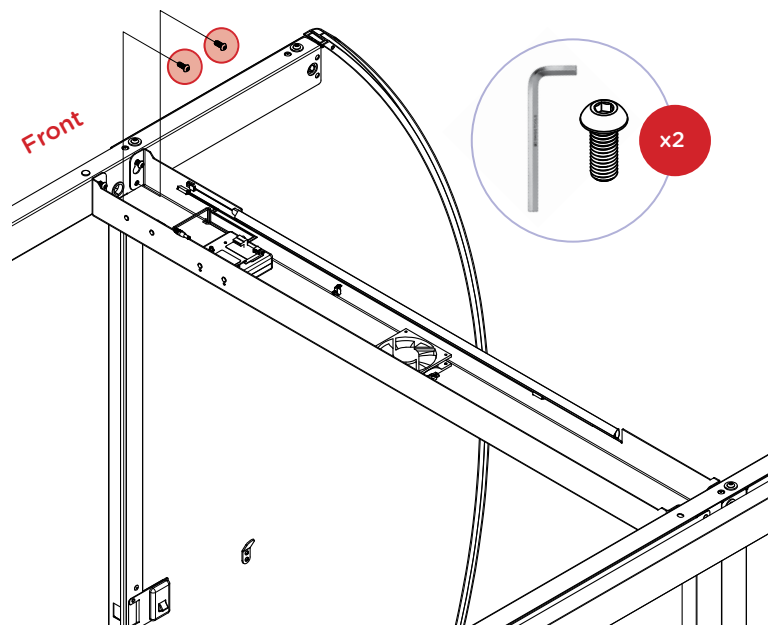
3. Take the left roof tray (18590) and slide the top two slots of each end over the (4) screws.

Have a helper stabilize the opposite end of the roof tray as you install the hardware.

Tighten hardware using the hex key and a 13 mm wrench.

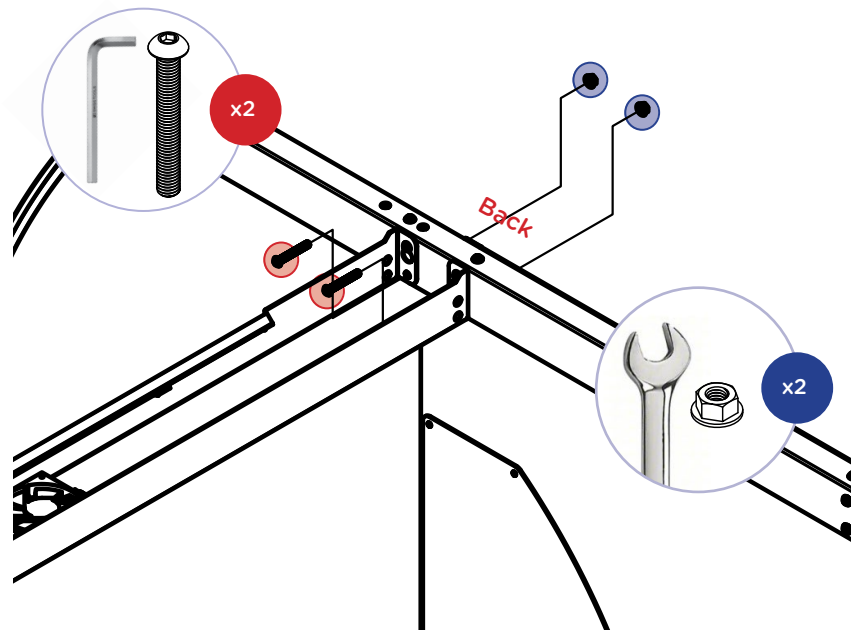


4. On the front wall side, insert (2) hardware H (16835) into the remaining holes and fasten with the hex key.



5. On the back wall side, insert (2) hardware K (19140) and (2) hardware D (21580) into the remaining holes. Fasten with the hex key and a 13 mm wrench.

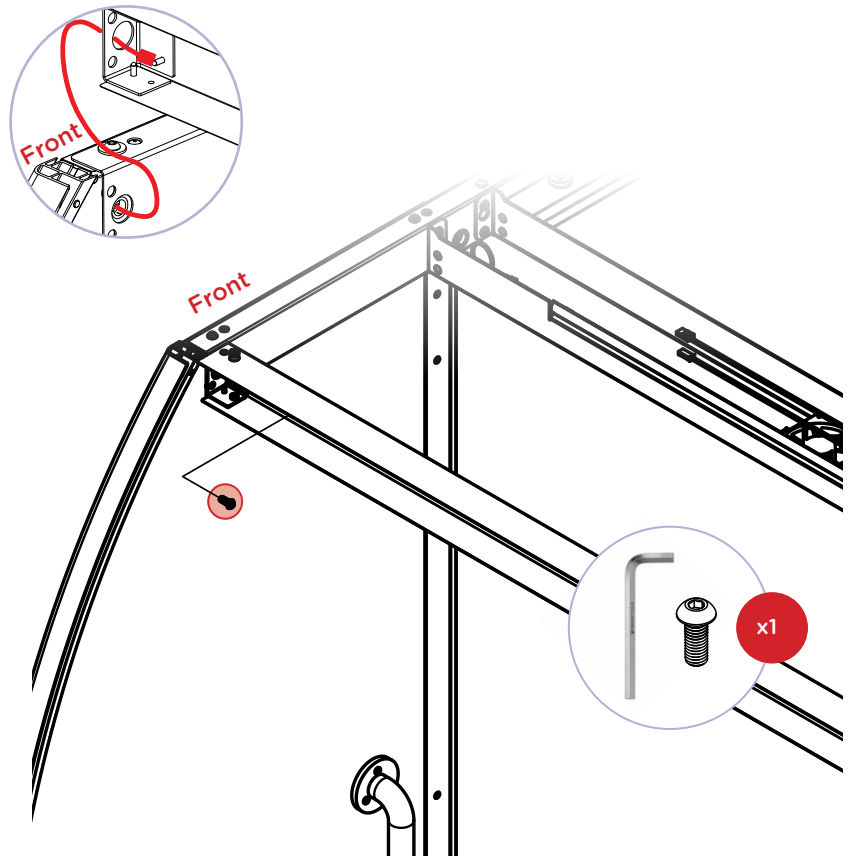
Repeat for the right roof tray (18595).



6. Take the right light bar (18600)—with the light strip facing out—and thread the wire from the front wall panel through the large hole in the light bar.

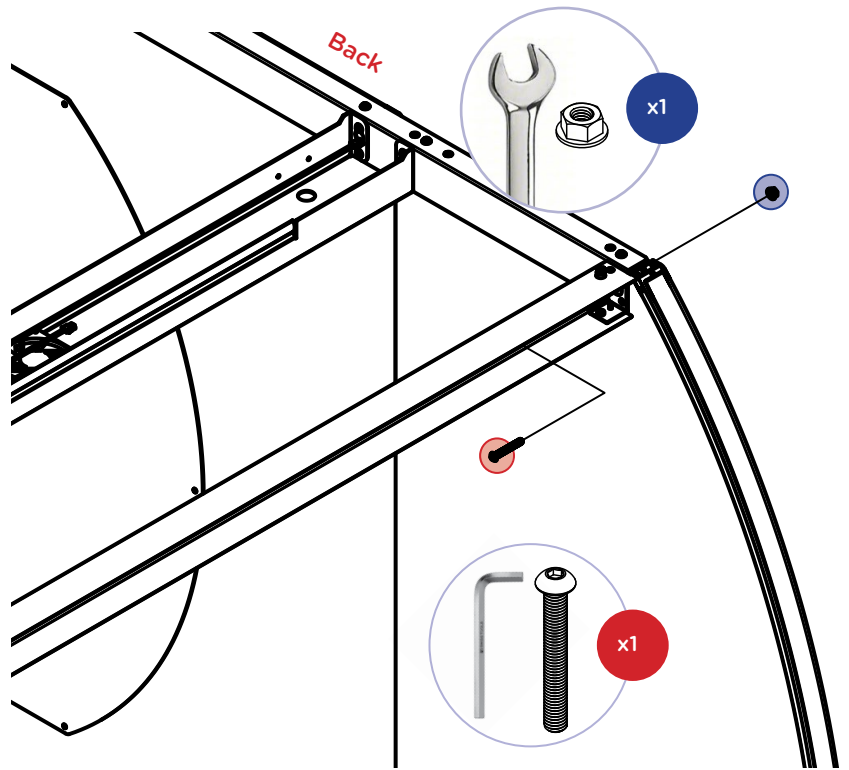
Use the hex key to secure the right light bar to the door header with (1) hardware H (16835).

Have a helper stabilize the opposite end of the light bar as you install the hardware.



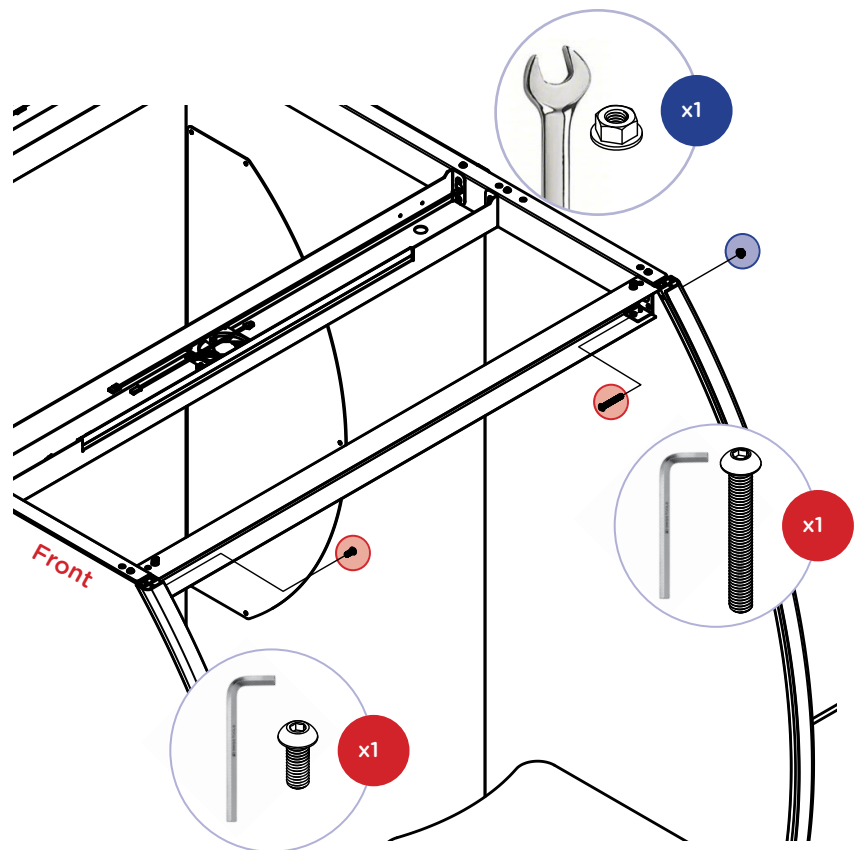
7. Secure the right light bar to the back wall cap with (1) hardware K (19140) and (1) hardware D (21580).

Install screws from the interior and fasten with the nut on the exterior.



8. Install the remaining (1) hardware H (16835) to the front of the light bar with the hex key and (1) hardware K (19140) and (1) hardware D (21580) to the back with the hex key and 13 mm wrench.

Repeat for the left light bar (21180).



Wiring

PARTS

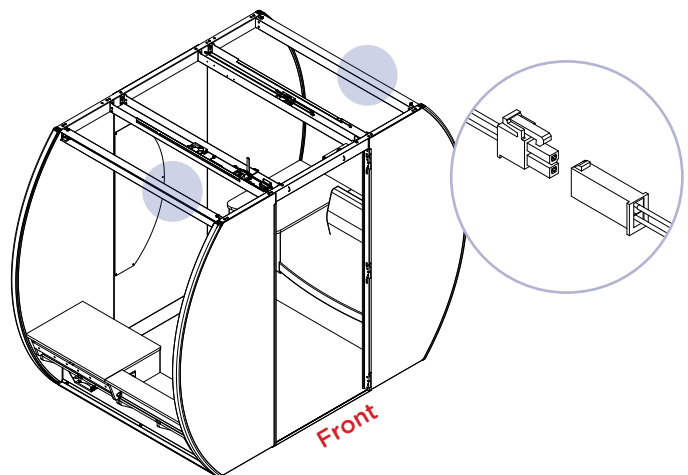
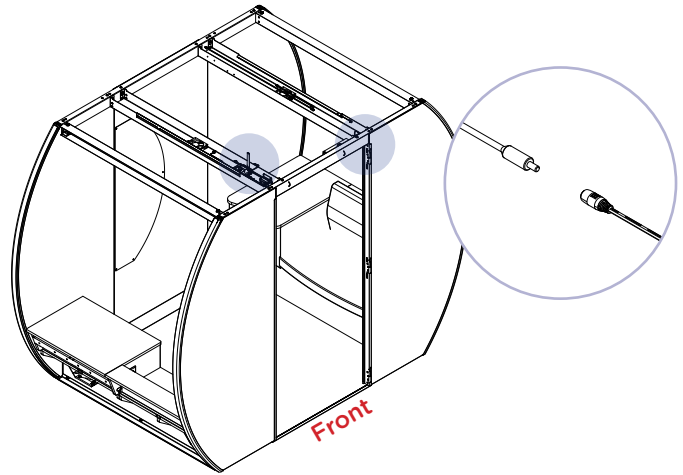
- GFCI Power Cord (20035)

1. Uncoil the black power cord from the front right wall panel.

Thread the power cord through the zip ties in the door header.

2. Insert the power cord through the hole in the left side of the door header and connect it to the power cord in the left roof tray.

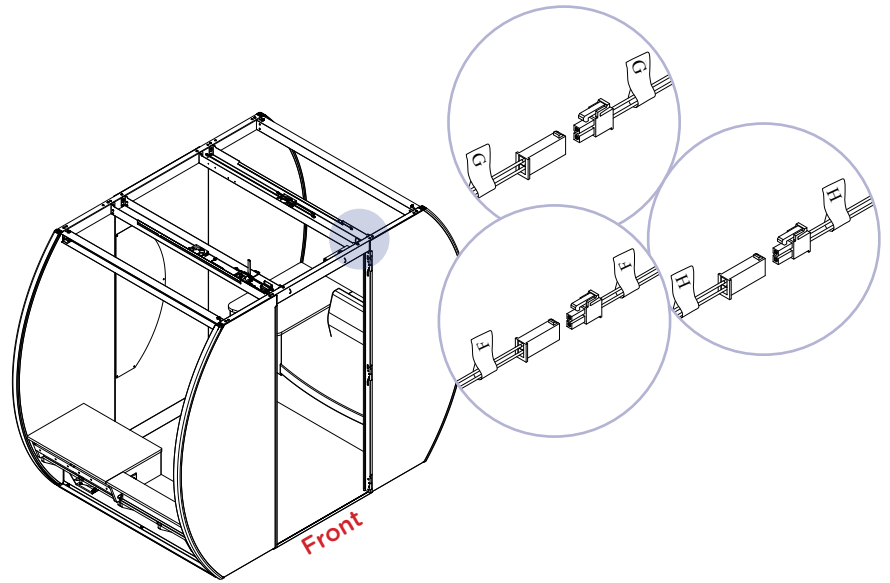
3. Connect the light bar wires at each end of the light bars.



4. Thread wire G from the right roof tray into the door header. Connect to wire G.

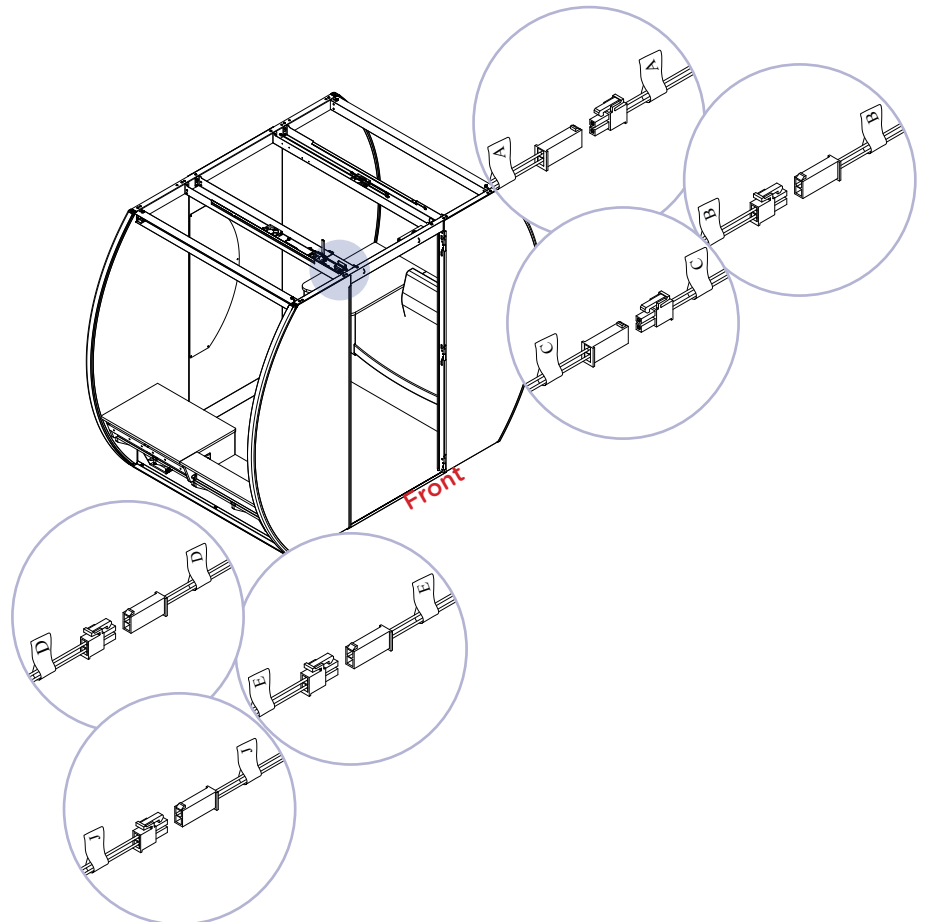
5. Thread wire H from the right roof tray into the door header. Connect to wire H.

6. Thread wire F from the front right wall panel through the zip tie. Connect to wire F.

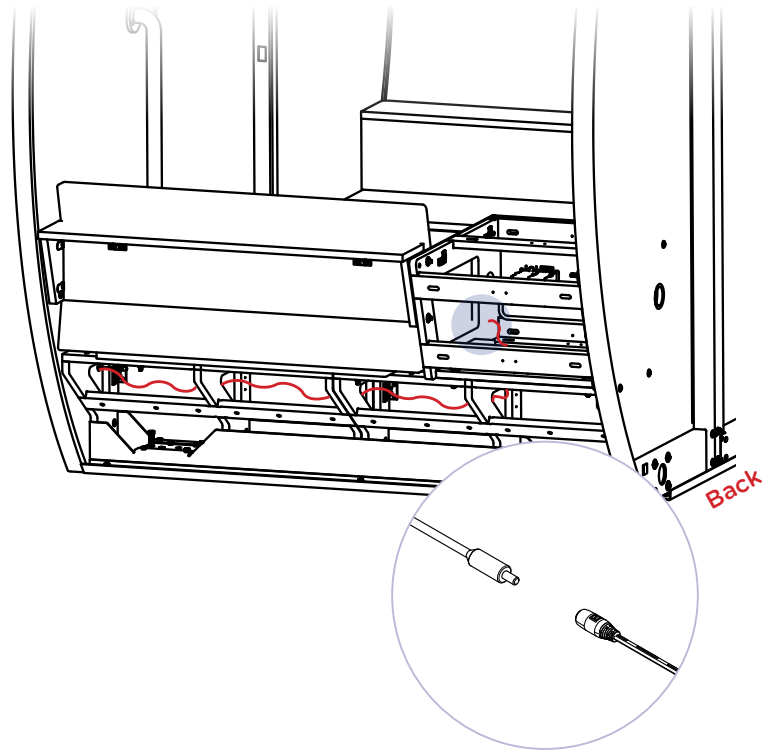


7. Uncoil wires from the top left wall panel.

- Thread wire A into the hole in the roof tray and connect to wire A.
- Connect wire B to wire B.
- Connect wire C to wire C.
- Connect wire D to wire D.
- Thread wire E through the zip tie and connect to wire E in the middle of the door header.
- Thread wire J from the left roof tray through the hole in the door header.

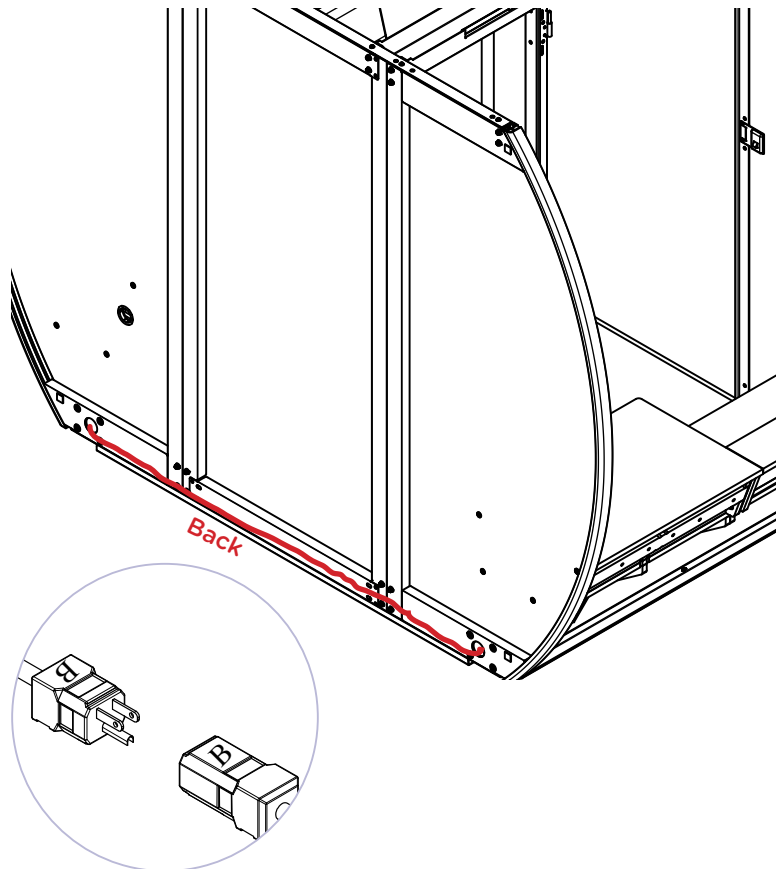


8. Thread the black PCD power cord from the front right wall panel to the back through the seat base triangular openings into the shelf base. Connect it to the black adapter.



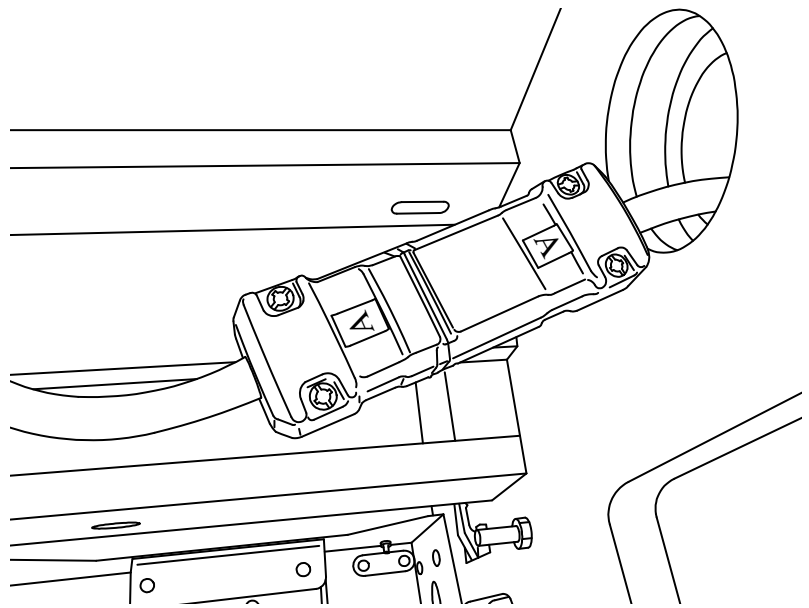
9. Pull the power cord in the back left corner along the back of the pod, threading it through the zip ties as you go, and insert it into the hole in the back right seat base.

Connect to cord B.



10. Remove the zip tie from the GFCI power cord (20035) and thread the connector end through the hole in the back right shelf.

Connect to power cord A.



Shelf Top, Graphics Panels + Door

PARTS

- Shelf Top, Right (19930)
- Graphics Panel (12320)
- Graphics Cap, Upper (18910)
- Door Header Cover (18410)
- Door (18305)
- Door Closer (10900)
- Roof Panel, Outer (19945)
- Roof Panel, Center (19950)
- Wire Cover (20020)

1. Install the right shelf top (19930) by lining up the black clips and pushing down until it snaps into place.

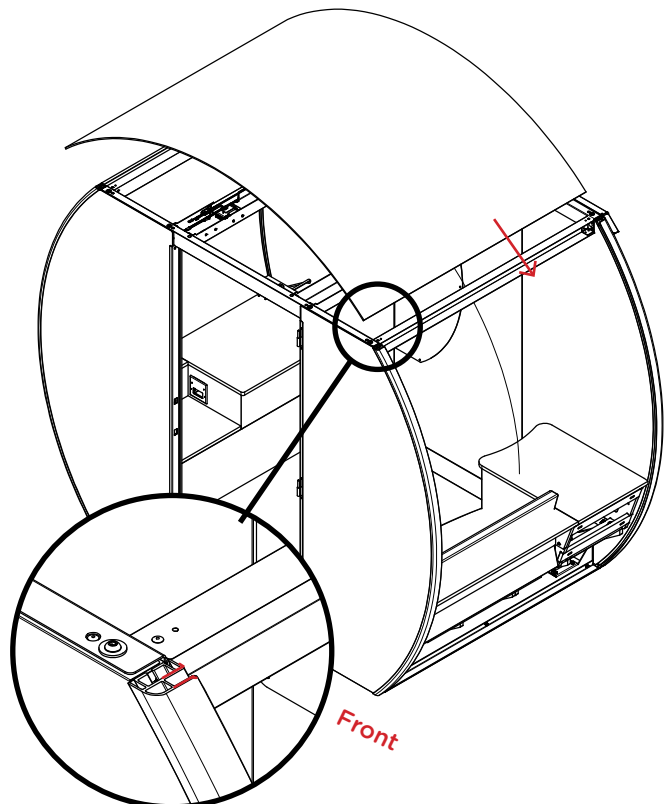
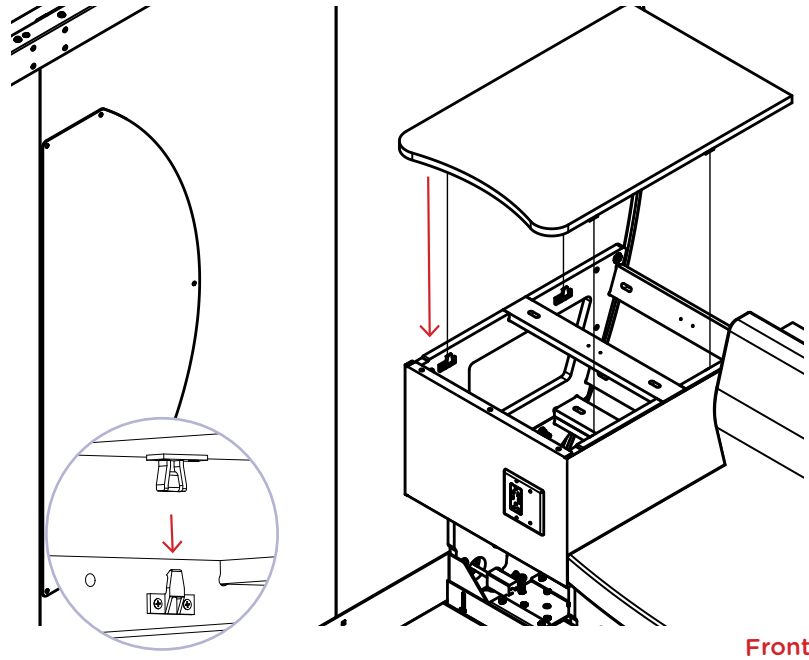
Apply masking tape to the top edges of the graphics panel channels on both sides of the pod to prevent scratching.

2. Place a ladder inside the pod. Have a helper lift a graphics panel (12320) to you over the pod, then feed the edges into the slots on the graphics panel channels. Have your helper pull gently on the panel to guide it to the bottom.

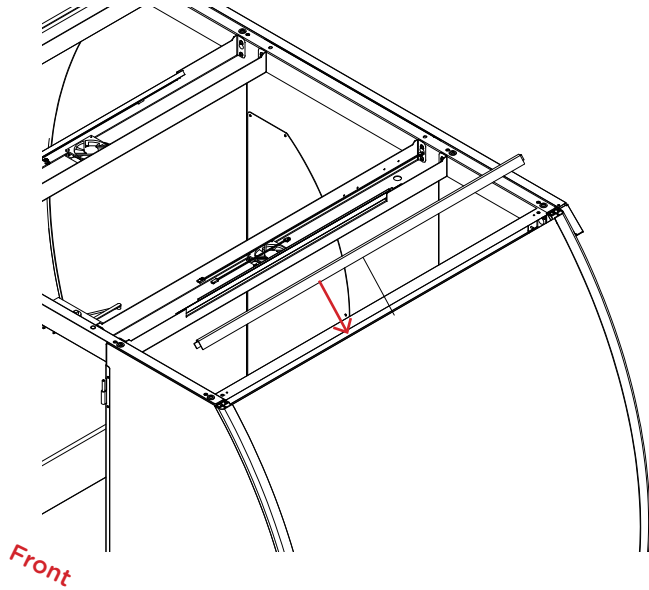
Orient the graphics panel so the side marked 'INTERIOR LEFT' faces inside the left of the pod and the side marked 'INTERIOR RIGHT' faces inside the right interior of the pod when installed.

Repeat on the other side.

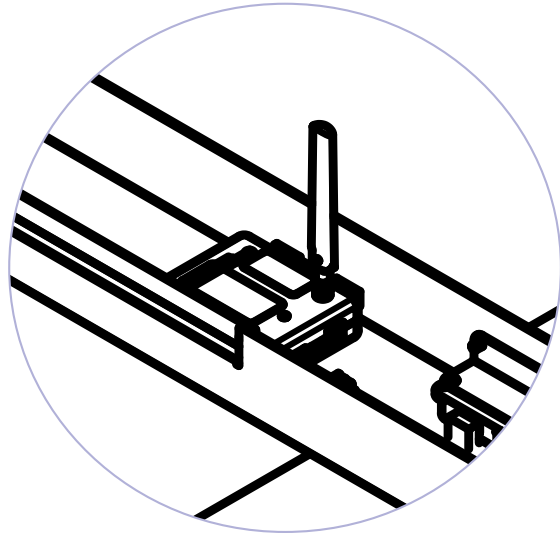
Remove tape when done.



3. Install the upper graphics caps (18910) over the top edge of each graphics panel.



4. Tilt the PCD antenna into the up position.



5. Insert the exterior GFCI power plug into the wall outlet and press the reset button.

6. Perform the following tests to ensure the pod electronics work:

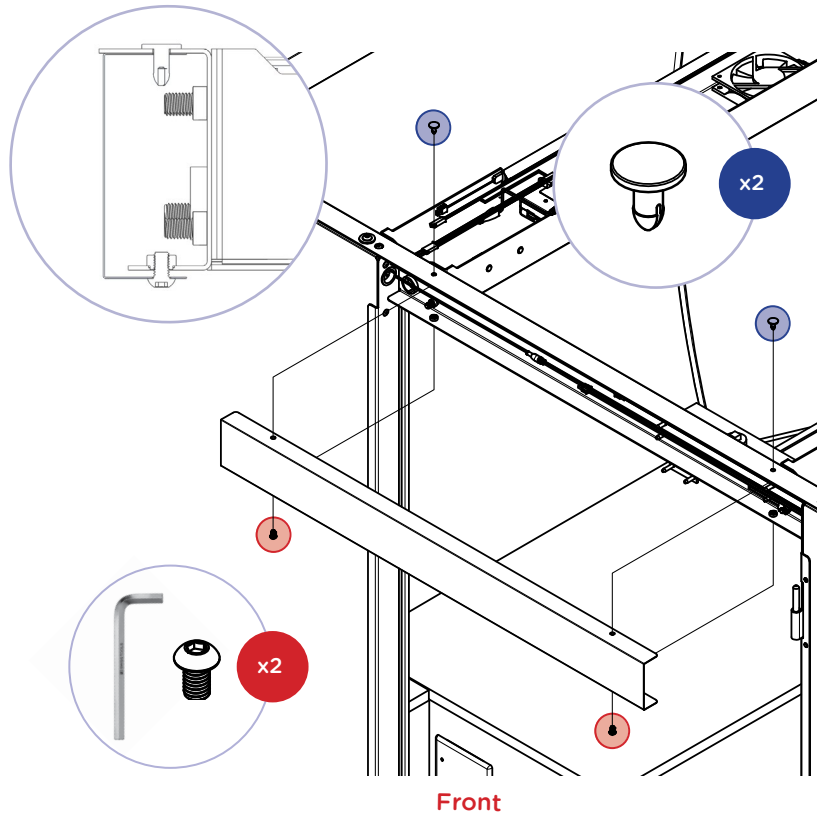
- Step inside to activate the motion sensor, and make sure the lights and fans turn on.
- Test the light switch.
- Check all outlets - standard and USB port.

7. Tuck all wires back into the door header and pull the zip ties tight.



8. Install the door header cover (18410).

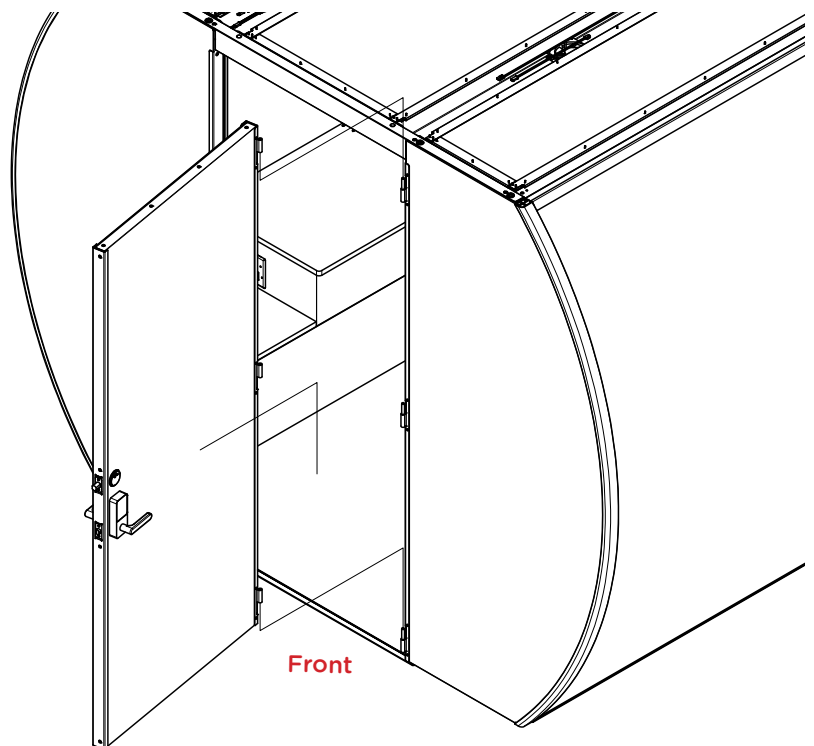
Use the hex key to secure (2) hardware L (20340) on the bottom of the cover. Push (2) hardware M (10955) down into the top of the header cover.



9. Install the door (18305) at a 90° angle by sliding it onto the door hinges.

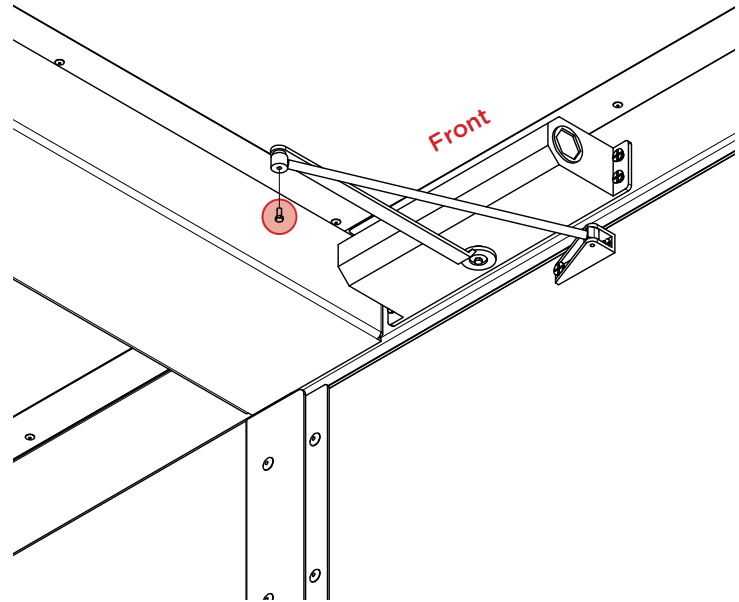
It's helpful for one person to align the bottom hinges and another to align the top.

Enter 8008# to test keypad access and ensure the deadbolt engages.



10. Use a #2 Phillips head screwdriver to attach the upper door closer arm (10900) to the door closer body. Then secure the bottom arm on the door to the top arm.

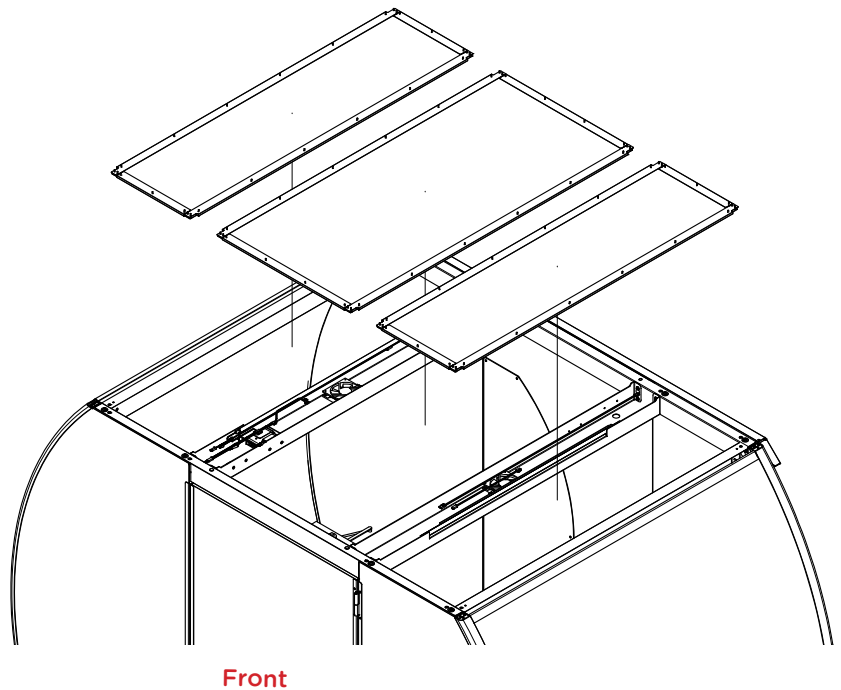
Adjust the length by spinning the bottom arm. Be sure to tighten the nut when you're done.



11. Place the perforated roof panels, rivet heads face down, between the roof trays. The wide panel (19950) goes in the center and the narrow panels (19945) go on the sides.

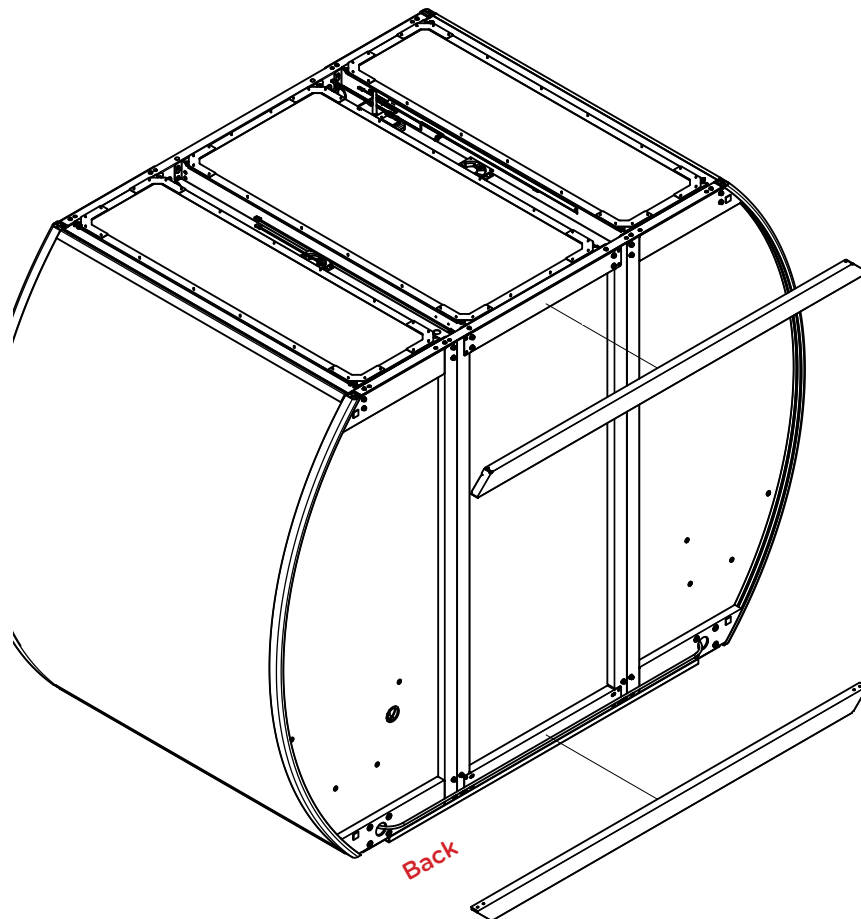
Skip step 12 unless installing felt roof panels.

12. Place the felt roof panels on top of the perforated roof panels. The wide panel goes in the center and the narrow panels go on the sides.



13. Peel the backing from the four sticky tabs on the ends of the two wire covers (20020).

Position the wire covers on the back panels and press the sticky tabs against the back wall panels to secure.



Final Assembly + Testing

PARTS

- Beauty Panel, Left (18465)
- Beauty Panel, Right (18475)

1. If you assembled the pod away from its final location, you'll need to move it to the desired spot.

Raise the four leveling feet to engage the caster wheels. Use a 9/16" wrench and turn counterclockwise until the leveling feet are off the floor.

For quicker adjustment, use a ratchet with a 9/16" socket to turn the leveling feet.

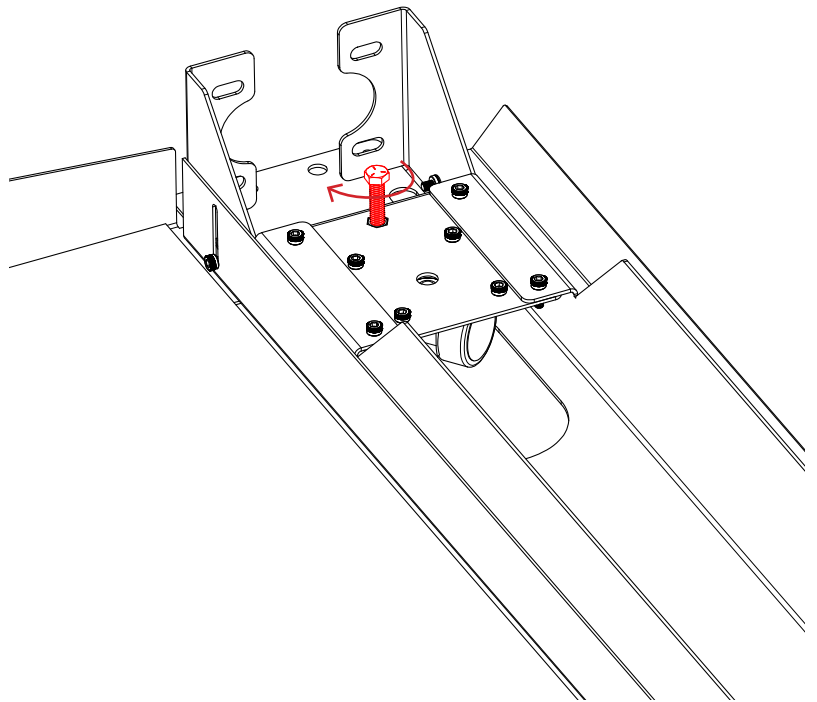
Once the pod is in its final location, turn the leveling feet clockwise with a 9/16" wrench and lower them until they touch the floor. Rotate another full revolution to support the pod's weight.

You'll know a leveling foot is completely raised when the caster wheel is able to spin freely.

2. Open and close the door a few times to check for proper alignment. There should be an even gap along the latch side of the door.

If there is a larger gap at the bottom, adjust the front right leveling foot.

If the door rubs against the bottom of the door frame, raise the front left leveling foot.



3. Make sure the door latches, but doesn't slam.

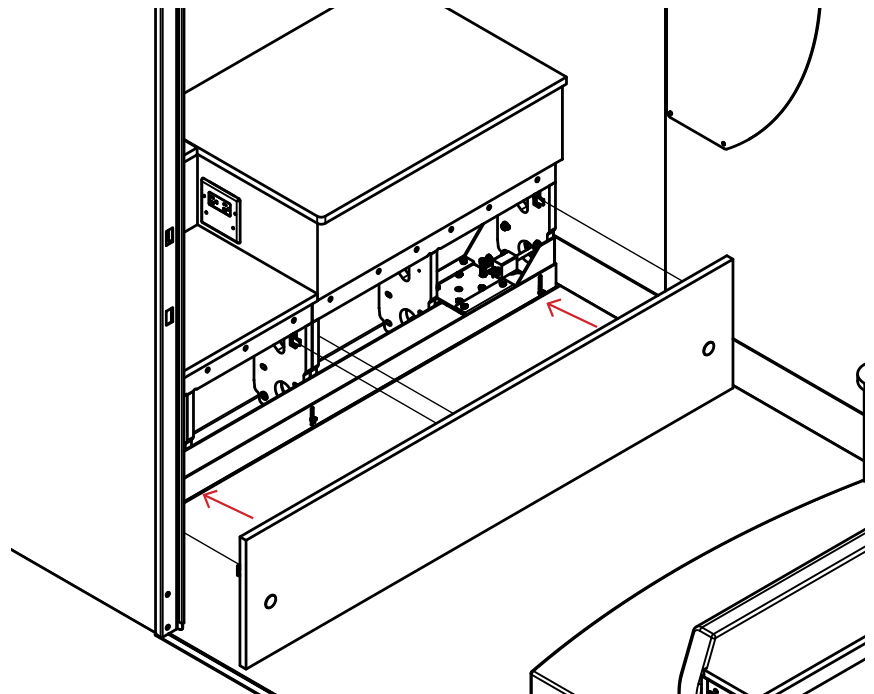
If the door closing speed is too fast or too slow, use a flat head screwdriver to adjust the closing speed adjustment screw on the end of the closer body.

4. Install the left beauty panel (18465) at an angle—align the black clips of the beauty panel with the black clips on the seat base—then push gently until the clips snap into place.

Repeat on the right side with the right beauty panel (18475).

5. Gently wipe down the walls, interior surfaces, and mirror to remove any dust or debris.

6. Fill out the interior maintenance decal with contact information should parents encounter any issues. We recommend using a label maker or permanent marker.



Front

If you're experiencing an emergency, **please call 911.**
To report service/maintenance issues at this facility, contact:

DON'T FORGET

If you're listing this pod on the free Mamava app—so breastfeeding parents can find it using Mamava's Smart Access—please send photos of the installed pod to customersuccess@mamava.com.

Notes

Need assistance? Visit help.mamava.com or contact service@mamava.com • (802) 347-2111

Learn about **service plans** to help protect your pod at mamava.com/service.