

---

# ADA Assembly Instructions

---

People required: 2

Average time required: 4 hours

For replacement parts,  
questions or concerns, contact:

802.347.2111

[hello@mamava.com](mailto:hello@mamava.com)

Version: V4.ADA

04/17/2019

# Table of Contents

## Floor Pan (Page 4)

Step 1.....  
Step 2.....

## Seats and Counters (Page 5)

Step 3.....  
Step 4.....  
Step 5.....  
Step 6.....  
Step 7.....  
Step 8.....

## Back Wall Panels (Page 6)

Step 9.....  
Step 10.....  
Step 11.....  
Step 12.....  
Step 13.....

## Outlet Boxes and Counters (Page 7)

Step 14.....  
Step 15.....  
Step 16.....

## Wiring: Outlet Boxes (Page 8)

Step 17.....  
Step 18.....  
Step 19.....  
Step 20.....

## Front Wall Panels (Page 9)

Step 21.....  
Step 22.....  
Step 23.....  
Step 24.....

## Header and Roof Pans (Page 10)

Step 25.....  
Step 26.....  
Step 27.....  
Step 28.....  
Step 29.....

## Wiring: Roof Pan (Page 11)

Step 30.....  
Step 31.....  
Step 32.....  
Step 33.....  
Step 34.....

## Beauty Panels (Page 12)

Step 35.....  
Step 36.....  
Step 37.....

## Graphic Panels and Roof Caps (Page 13)

Step 38.....  
Step 39.....  
Step 40.....  
Step 41.....

## Door (Page 14)

Step 42.....  
Step 43.....  
Step 44.....

## **(OPTIONAL FRIDGE CABINET)**

### Fridge Cabinet/Seat and Counters (Page 15)

Step 3.....  
Step 4.....  
Step 5.....  
Step 6.....  
Step 7.....  
Step 8.....

### Wiring: Fridge Cabinet and Outlet Box (Page 16)

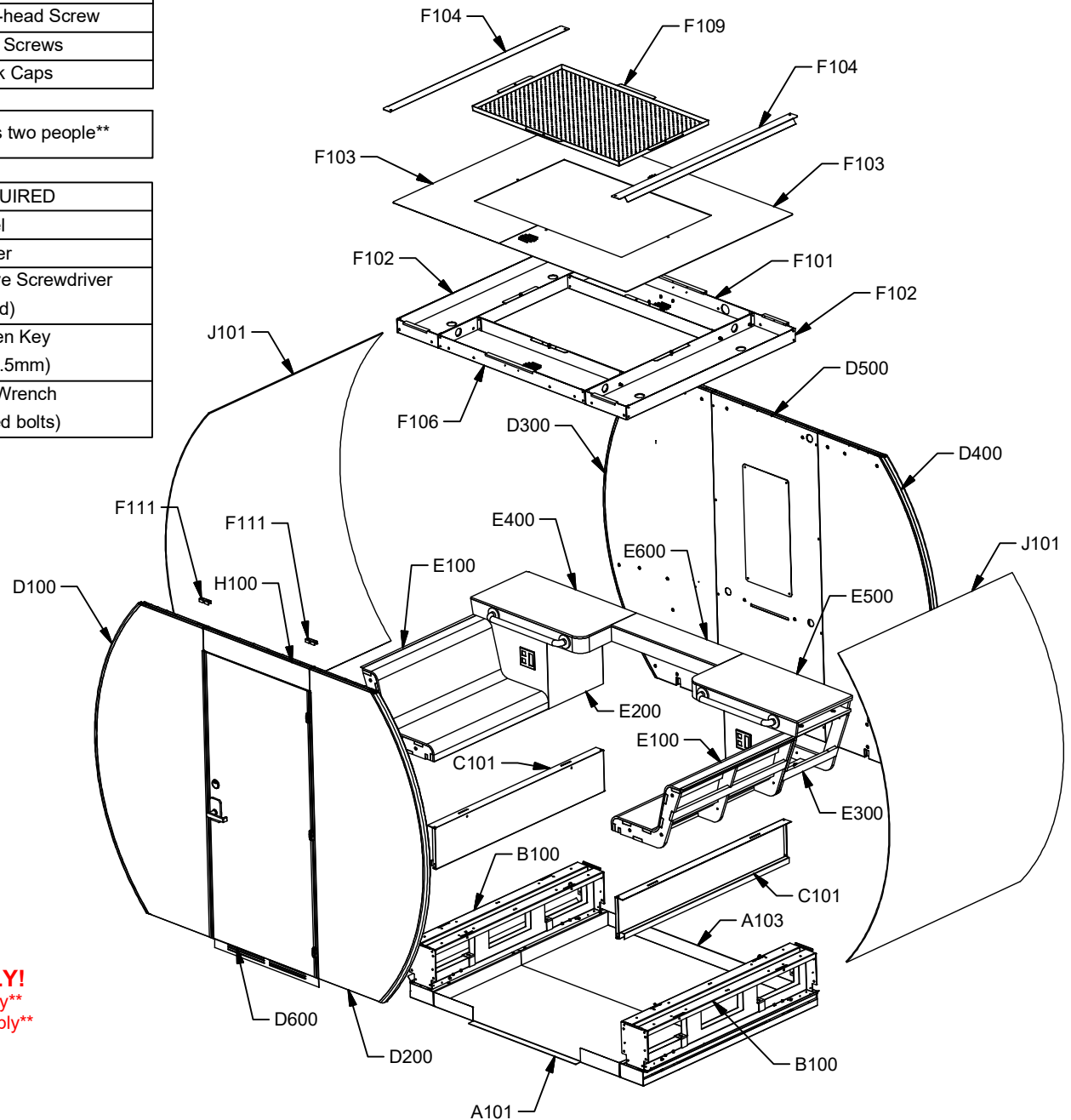
Step 17.....  
Step 18.....  
Step 19.....  
Step 20.....

PARTS LIST	
PART NUMBER	DESCRIPTION
ADA-A101	FRONT FLOOR PAN
ADA-A103	BACK FLOOR PAN
ADA-B100	CHASSIS
ADA-C101	BEAUTY PANEL
ADA-D100	FRONT LEFT WALL PANEL
ADA-D200	FRONT RIGHT WALL PANEL
ADA-D300	BACK LEFT WALL PANEL
ADA-D400	BACK RIGHT WALL PANEL
ADA-D500	BACK MIDDLE WALL PANEL
ADA-D600	DOOR
ADA-E200	LEFT OUTLET BOX
ADA-E300	RIGHT OUTLET BOX
ADA-E400	LEFT COUNTER
ADA-E500	RIGHT COUNTER
ADA-E600	MIDDLE COUNTER
ADA-E607	MIDDLE WIRE COVER
ADA-F101	BACK ROOF PAN
ADA-F102	SIDE ROOF PAN
ADA-F103	ROOF CAP
ADA-F104	GRAPHIC CAP
ADA-F106	FRONT ROOF PAN
ADA-F109	PERF PAN
F111	DOOR FRAME BRACKET
ADA-H100	HEADER
ADA-J101	GRAPHICS PANEL
K100	FRIDGE CABINET (OPTIONAL)

LOOSE HARDWARE
(8) M8 X 1.25 X 16mm Flat-head Screw
(57) M8 X 1.25 X 25mm Flat-head Screw
(40) M8 X 1.25 X 50mm Flat-head Screw
(8) #8 X .75in Pan-head Screw
(8) 3/4" Wood Screws
(12) Rotolock Caps

**\*\*Assembly requires two people\*\***

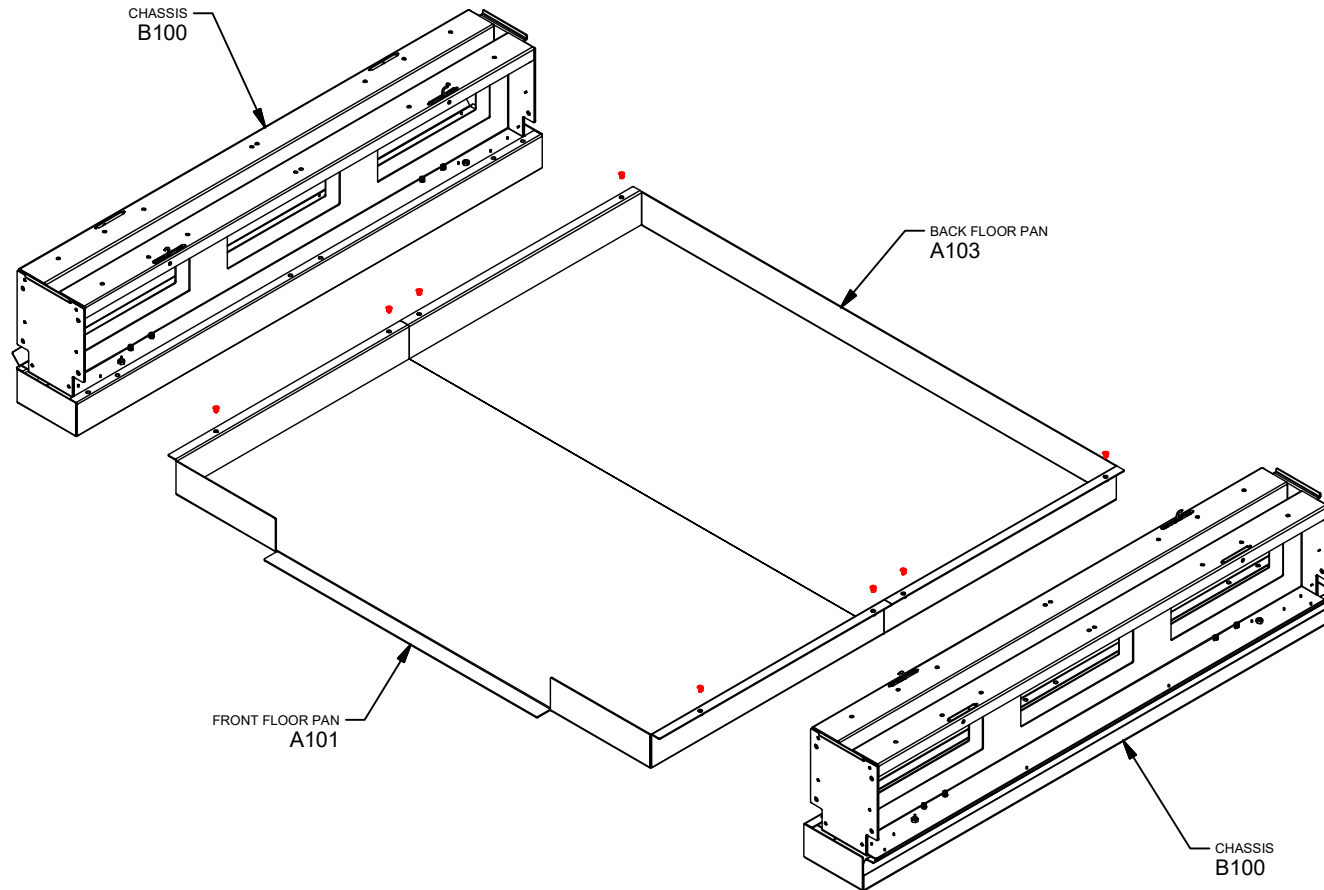
TOOLS REQUIRED
2' Level
6' Ladder
Philips Head #3 Drive Screwdriver (provided)
Rotolock Allen Key (provided, 5.5mm)
9/16" Socket Wrench (for red painted bolts)



**Power tools will strip hardware, ASSEMBLE WITH HAND TOOLS ONLY!**  
**\*\*Use provided #3 Phillips, and Rotolock Allen Key\*\***  
**\*\*Protective gloves should be worn during assembly\*\***

## FLOOR PAN

1. Set parts on floor as shown.
2. Fasten Front Floor Pan and Back Floor Pan flanges to Left and Right Chassis.  
(8) M8 X 1.25 X 16mm screws



## SEATS AND COUNTERS

3. Fasten bottom of Left Outlet Box to top of Left Chassis, and bottom of Right Outlet Box to top of Right Chassis. (2 per side) M8 X 1.25 X 25mm screws

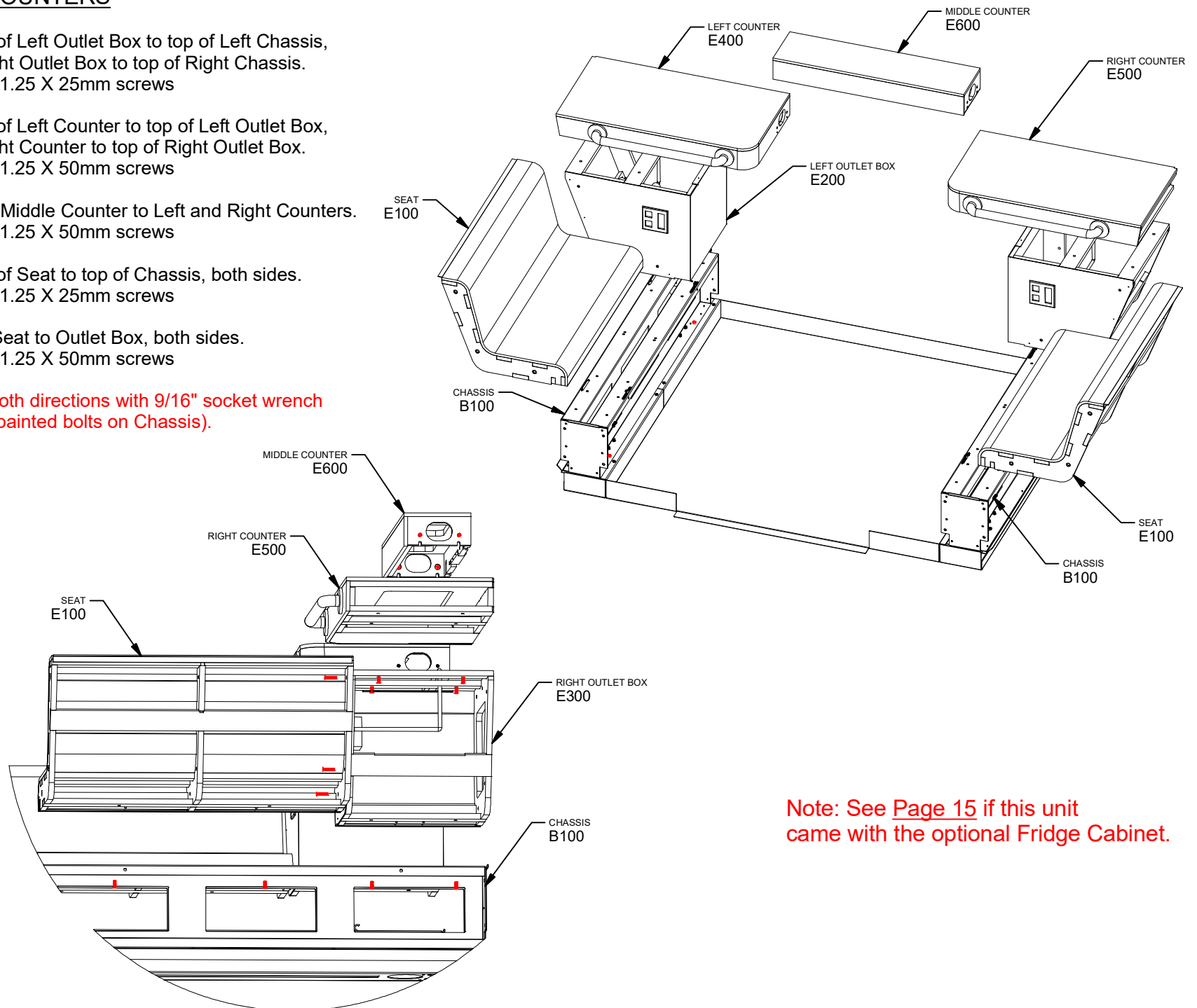
4. Fasten bottom of Left Counter to top of Left Outlet Box, and bottom of Right Counter to top of Right Outlet Box. (4 per side) M8 X 1.25 X 50mm screws

5. Fasten ends of Middle Counter to Left and Right Counters. (2 per side) M8 X 1.25 X 50mm screws

6. Fasten bottom of Seat to top of Chassis, both sides. (2 per side) M8 X 1.25 X 25mm screws

7. Fasten end of Seat to Outlet Box, both sides. (3 per side) M8 X 1.25 X 50mm screws

8. Level base in both directions with 9/16" socket wrench and 2' Level (red painted bolts on Chassis).



Note: See [Page 15](#) if this unit came with the optional Fridge Cabinet.

## BACK WALL PANELS

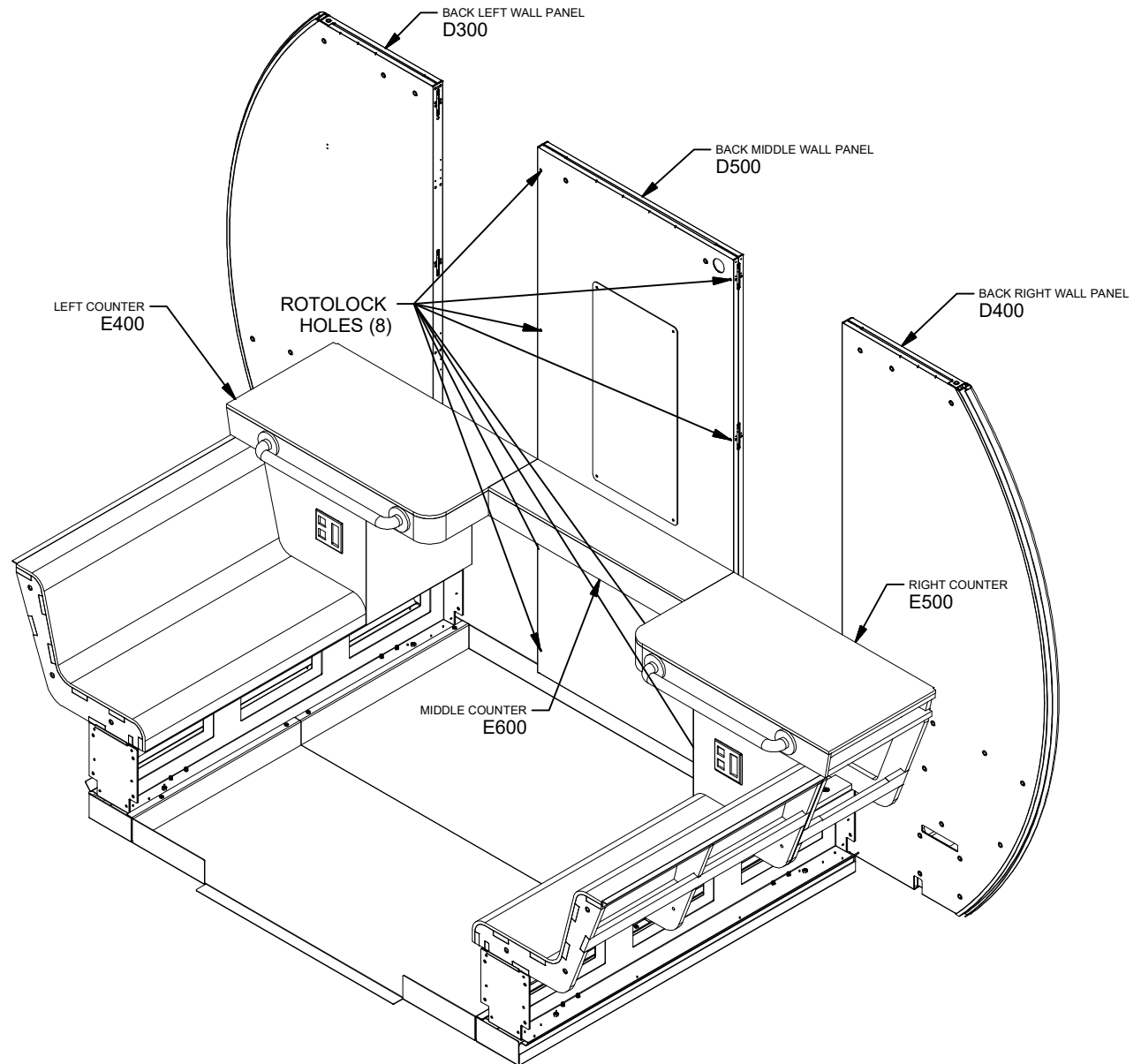
**9.** Hook Back Middle Wall Panel onto back of Middle Counter.

**10.** Hook Back Left Wall Panel onto top of Left Chassis.

**11.** Hook Back Right Wall Panel onto top of Right Chassis.

**12.** Rotolock back panels together with provided allen key.

**13.** Place Rotolock caps over holes. (8 caps)

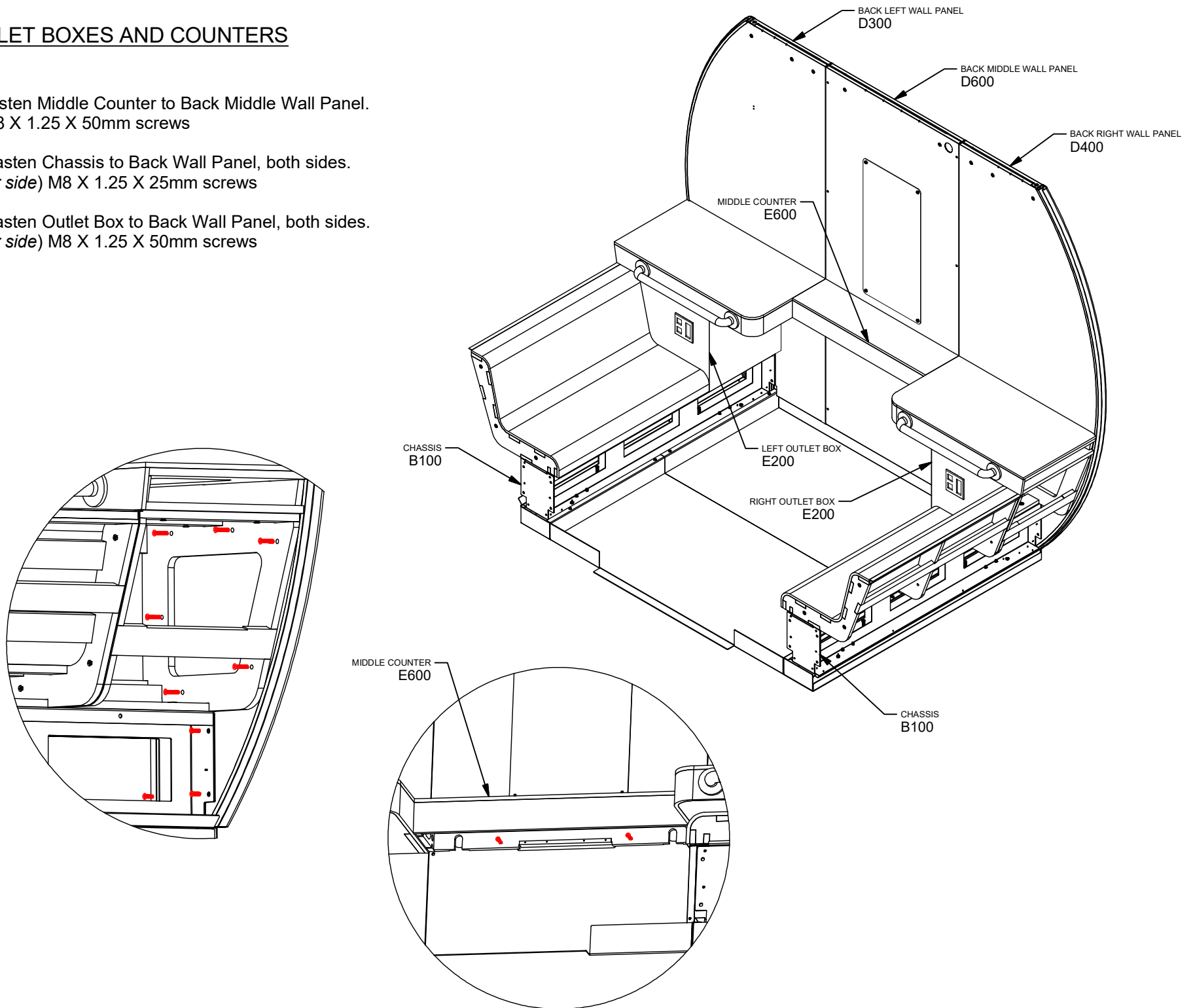


## OUTLET BOXES AND COUNTERS

**14.** Fasten Middle Counter to Back Middle Wall Panel.  
(2) M8 X 1.25 X 50mm screws

**15.** Fasten Chassis to Back Wall Panel, both sides.  
(4 *per side*) M8 X 1.25 X 25mm screws

**16.** Fasten Outlet Box to Back Wall Panel, both sides.  
(6 *per side*) M8 X 1.25 X 50mm screws



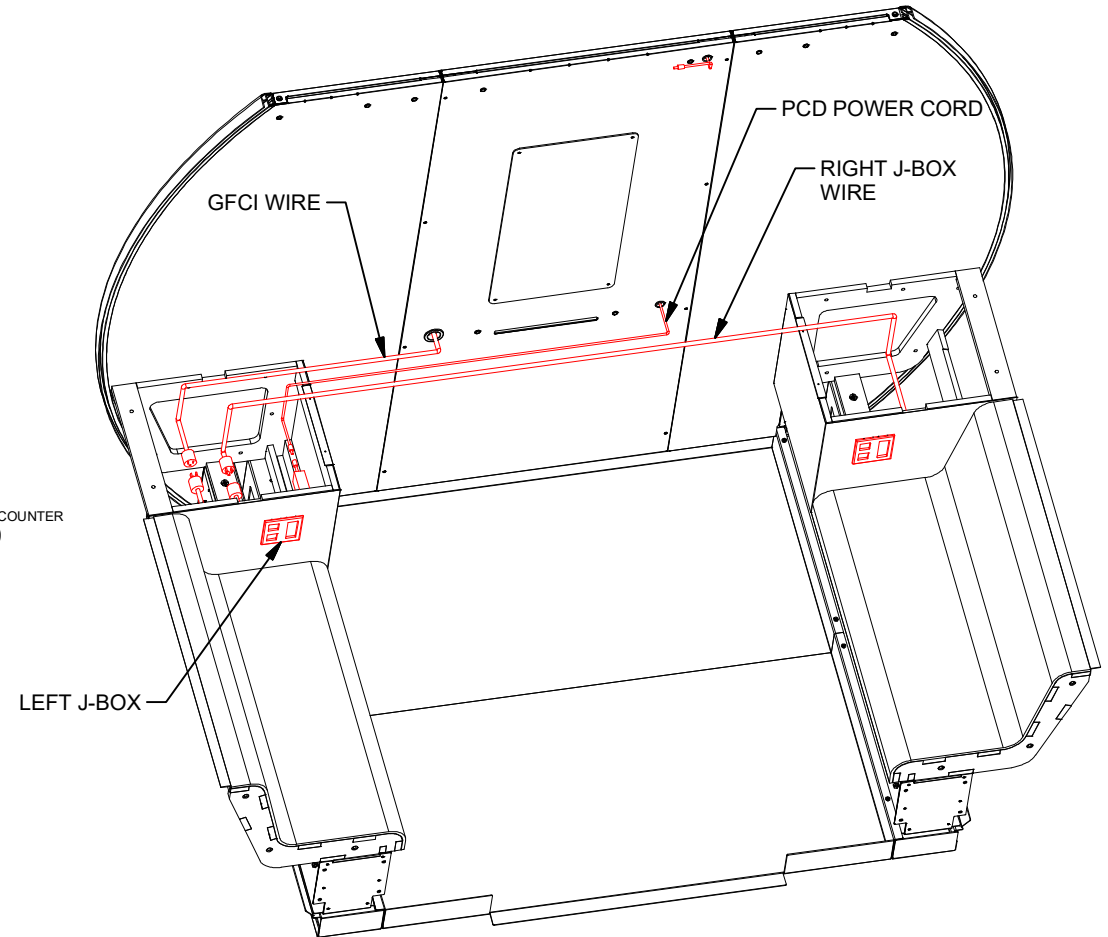
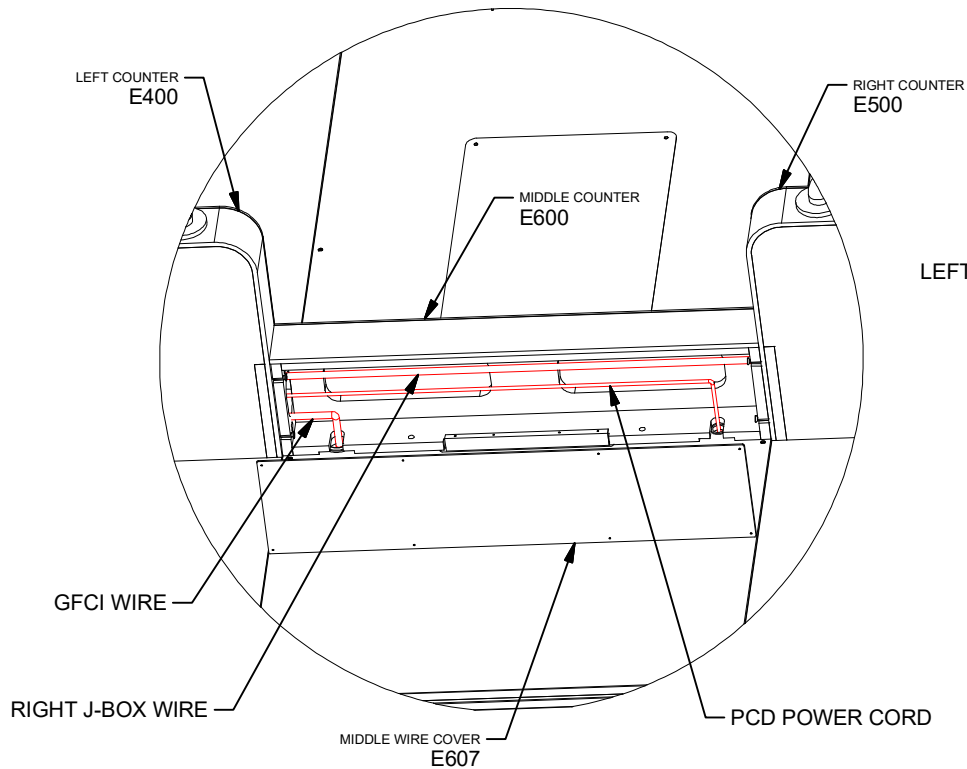
## WIRING: OUTLET BOXES

**17.** Feed GFCI Wire through Middle Counter and Left counter holes. Connect to Left J-Box.

**18.** Feed Right J-Box Wire out through Right Counter, Middle Counter, and Left counter. Connect to Left J-Box.

**19.** Feed PCD power cord through Middle Counter and Left Counter. Connect to Left J-Box.

**20.** Screw Middle Wire Cover into bottom of Middle Counter and plug GFCI Wire coming out of back of unit into wall outlet.



**Note:** See [Page 16](#) if this unit came with the optional Fridge Cabinet.



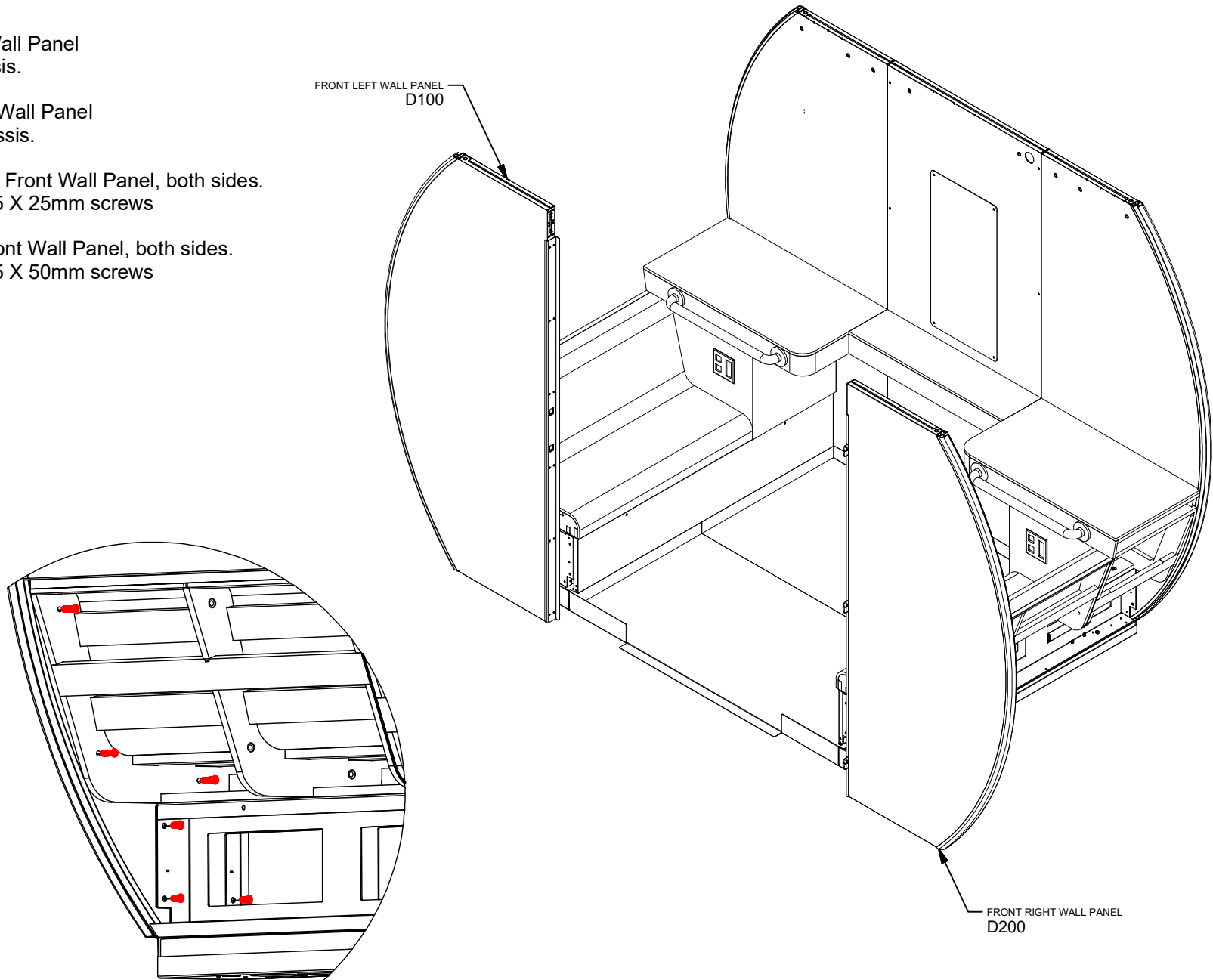
## FRONT WALL PANELS

**21.** Hook Front Left Wall Panel onto top of Left Chassis.

**22.** Hook Front Right Wall Panel onto top of Right Chassis.

**23.** Fasten Chassis to Front Wall Panel, both sides.  
(4 per side) M8 X 1.25 X 25mm screws

**24.** Fasten Seat to Front Wall Panel, both sides.  
(3 per side) M8 X 1.25 X 50mm screws



## HEADER AND ROOF PANS

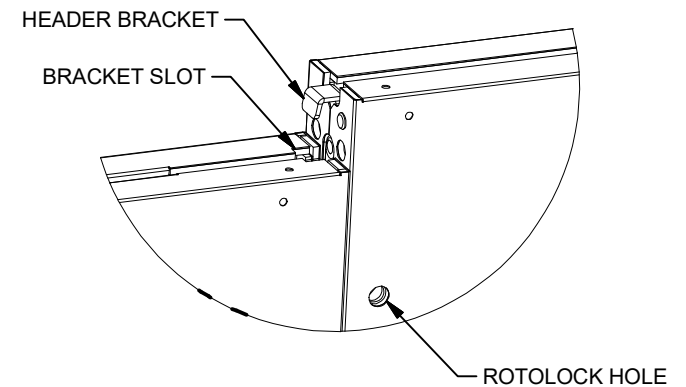
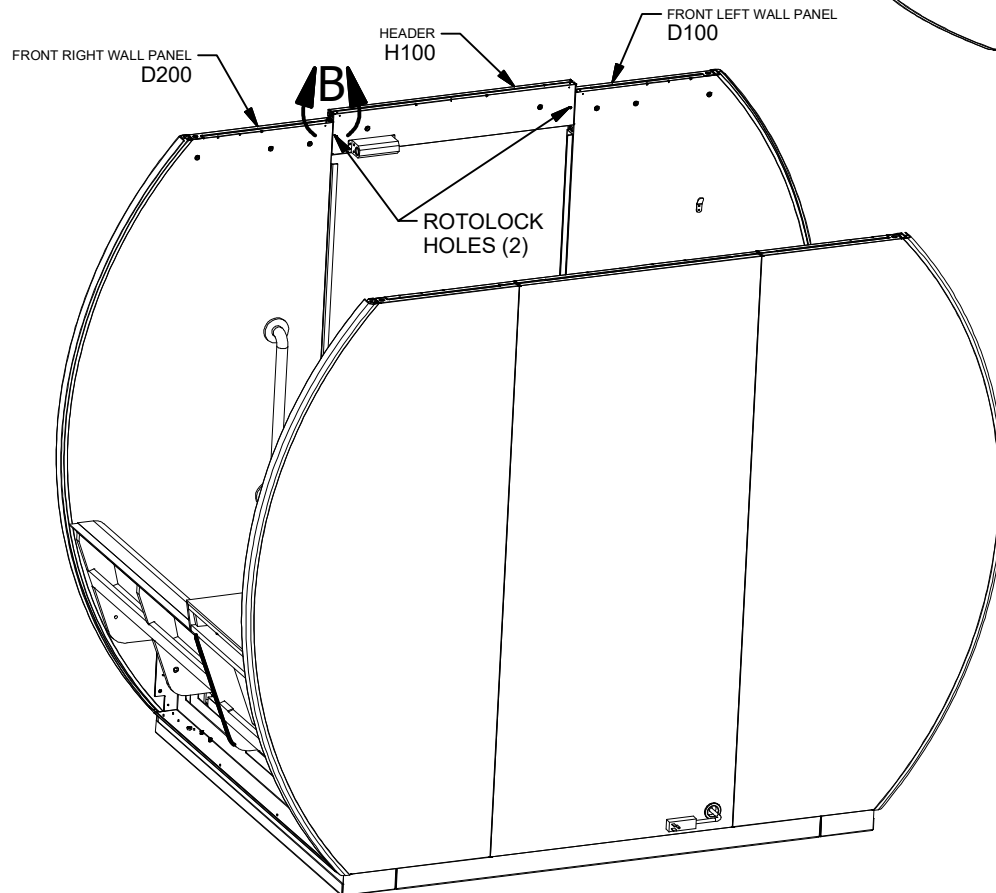
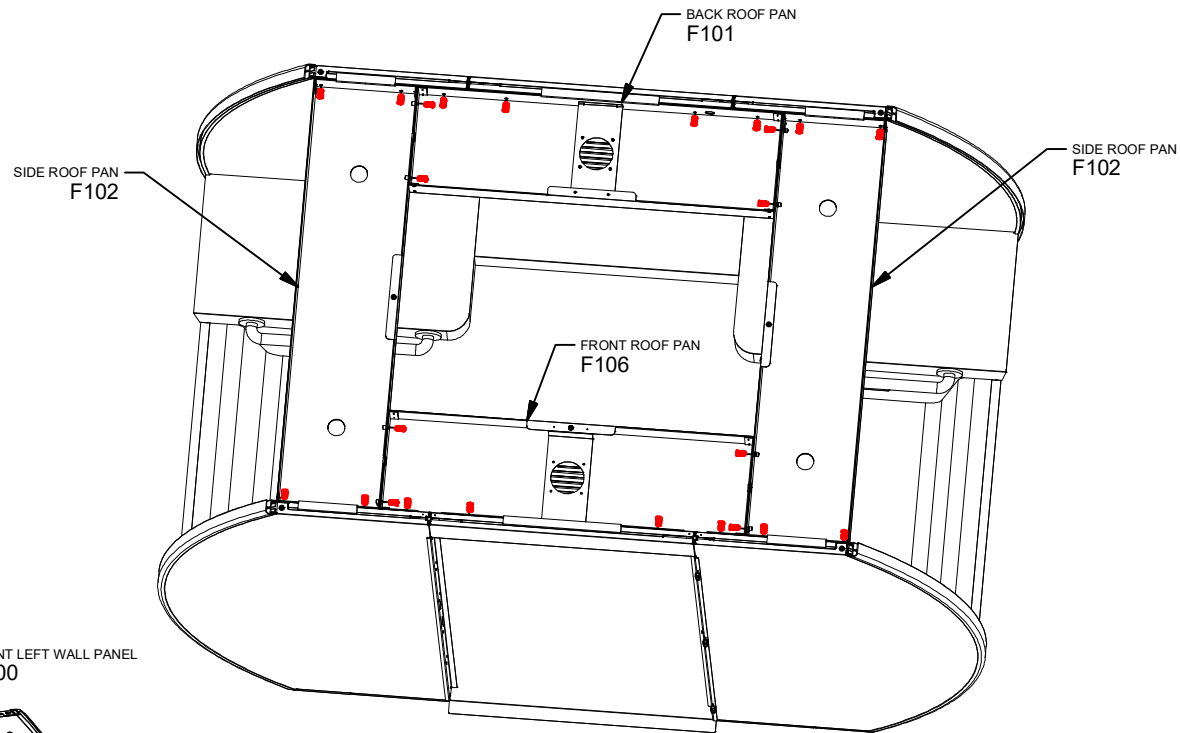
**25.** Pop Header Brackets into Wall Panel Bracket Slots by pushing downward on Header. Rotolock Header to Front Left Wall Panel and Front Right Wall Panel with provided allen key.

**26.** Drop Side Roof Pan into slot on top of Wall Panels as shown, both sides.

**27.** Drop Back Roof Pan and Front Roof Pan into slots in top of wall panels.

**28.** Fasten Side Roof Pan to Wall Panels, both sides.  
(4 *per side*) M8 X 1.25 X 25mm screws

**29.** Fasten Front and Back Roof Pans to Side Roof Pans and Wall Panels.  
(16) M8 X 1.25 X 25mm screws



**DETAIL B**

## WIRING: ROOF PAN

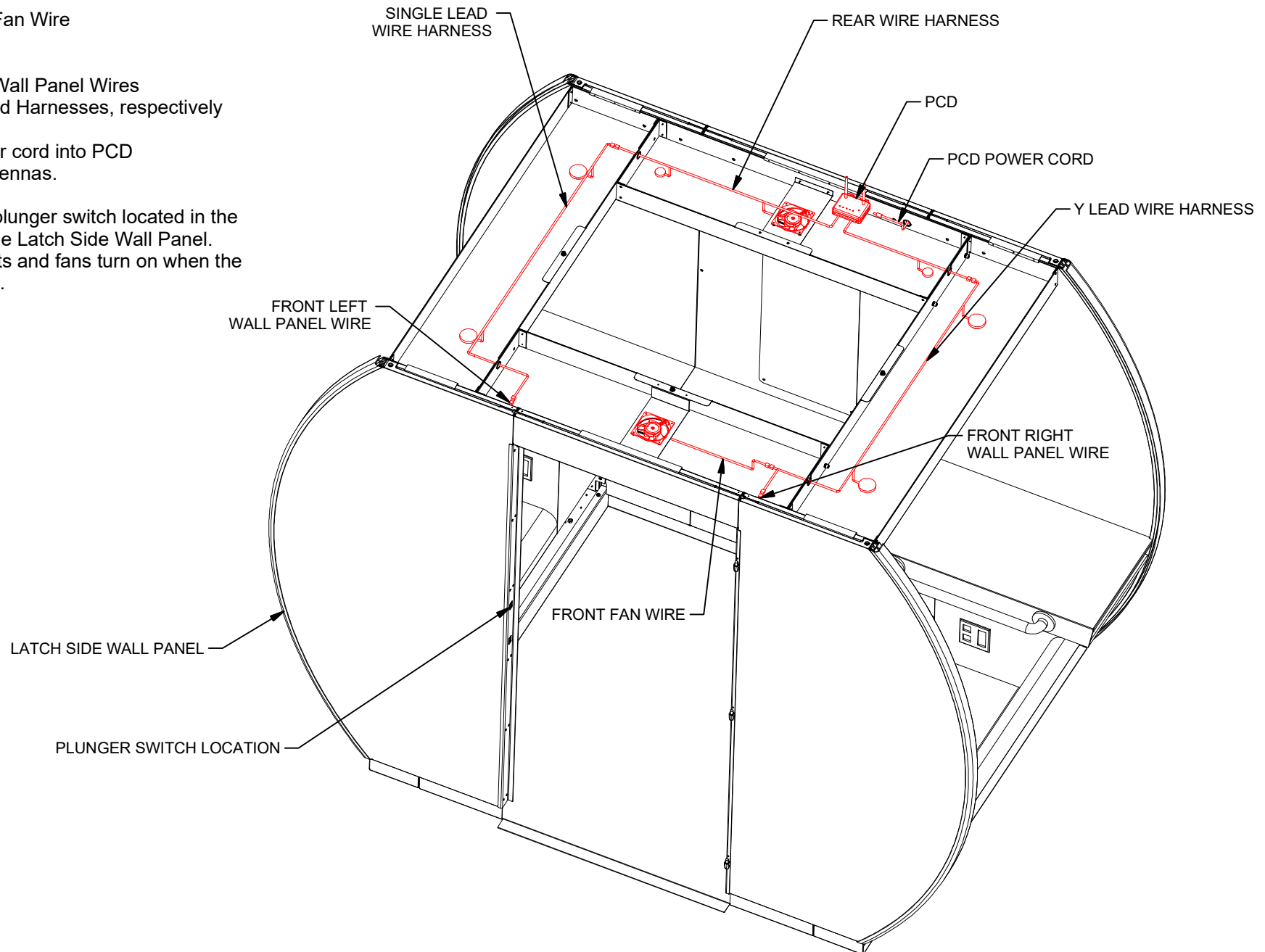
**30.** Connect Rear Wire Harness into the Single and Y Lead Harnesses, respectively.

**31.** Connect Front Fan Wire to Y Lead Harness.

**32.** Connect Front Wall Panel Wires to Single and Y Lead Harnesses, respectively

**33.** Plug PCD power cord into PCD and flip up PCD antennas.

**34.** Hold down the plunger switch located in the dead bolt hole on the Latch Side Wall Panel. Verify that both lights and fans turn on when the switch is depressed.

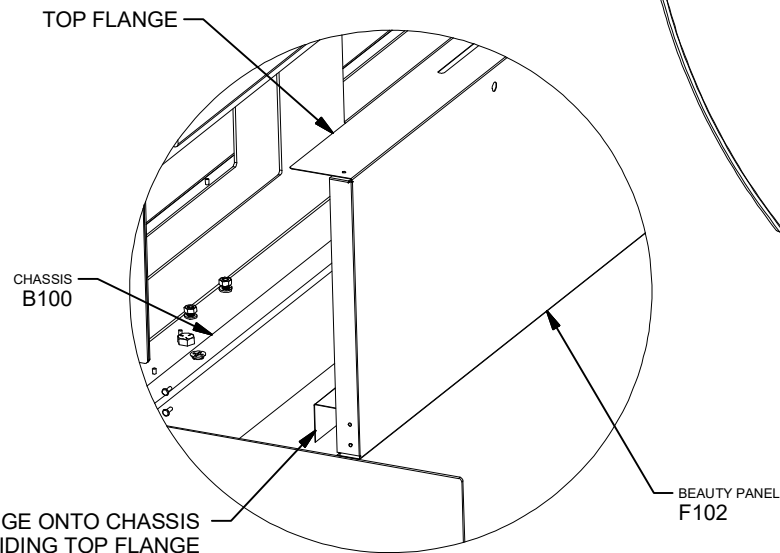
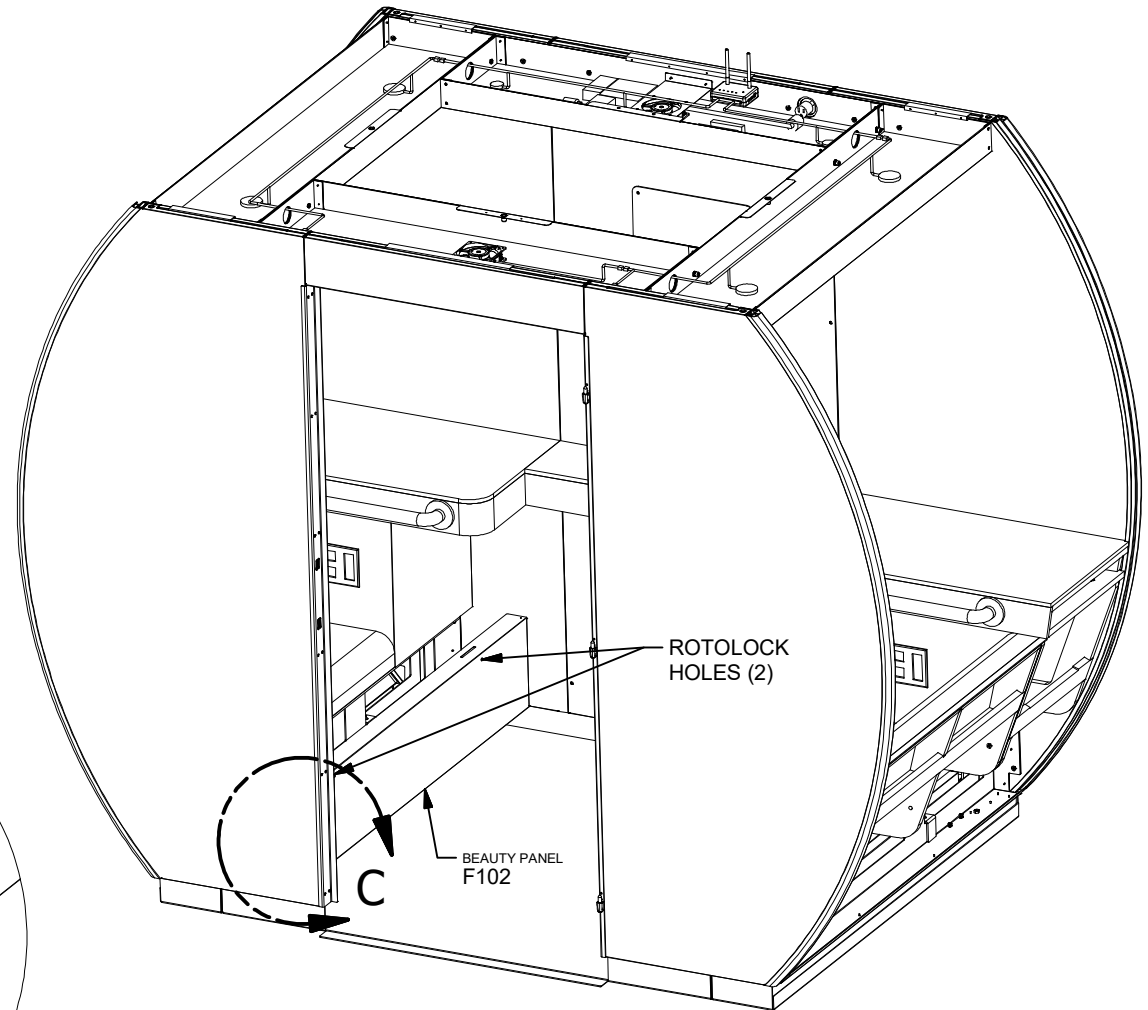


## BEAUTY PANELS

**35. \*\*If unit needs to be moved, raise leveling feet located in bottom corners of the Chassis (red painted bolts). Once unit is in the right spot, level it in both directions with 9/16" socket wrench and 2' Level\*\***

**36. Slide Left Beauty Panel under Left Seat, lock Rotolock with allen key in two places. Add rotolock caps to holes.  
(2 caps)**

**37. Slide Right Beauty Panel under Right Seat, lock Rotolock with allen key in two places. Add Rotolock caps to holes.  
(2 caps)**



HOOK BOTTOM FLANGE ONTO CHASSIS  
BEFORE SLIDING TOP FLANGE  
UNDER SEAT AND ROTOLOCKING

DETAIL C

## GRAPHIC PANELS AND ROOF CAPS

**38.** Place ladder inside unit. Feed Graphic Panel overhead and into slots in the Wall Panel Channels, both sides.

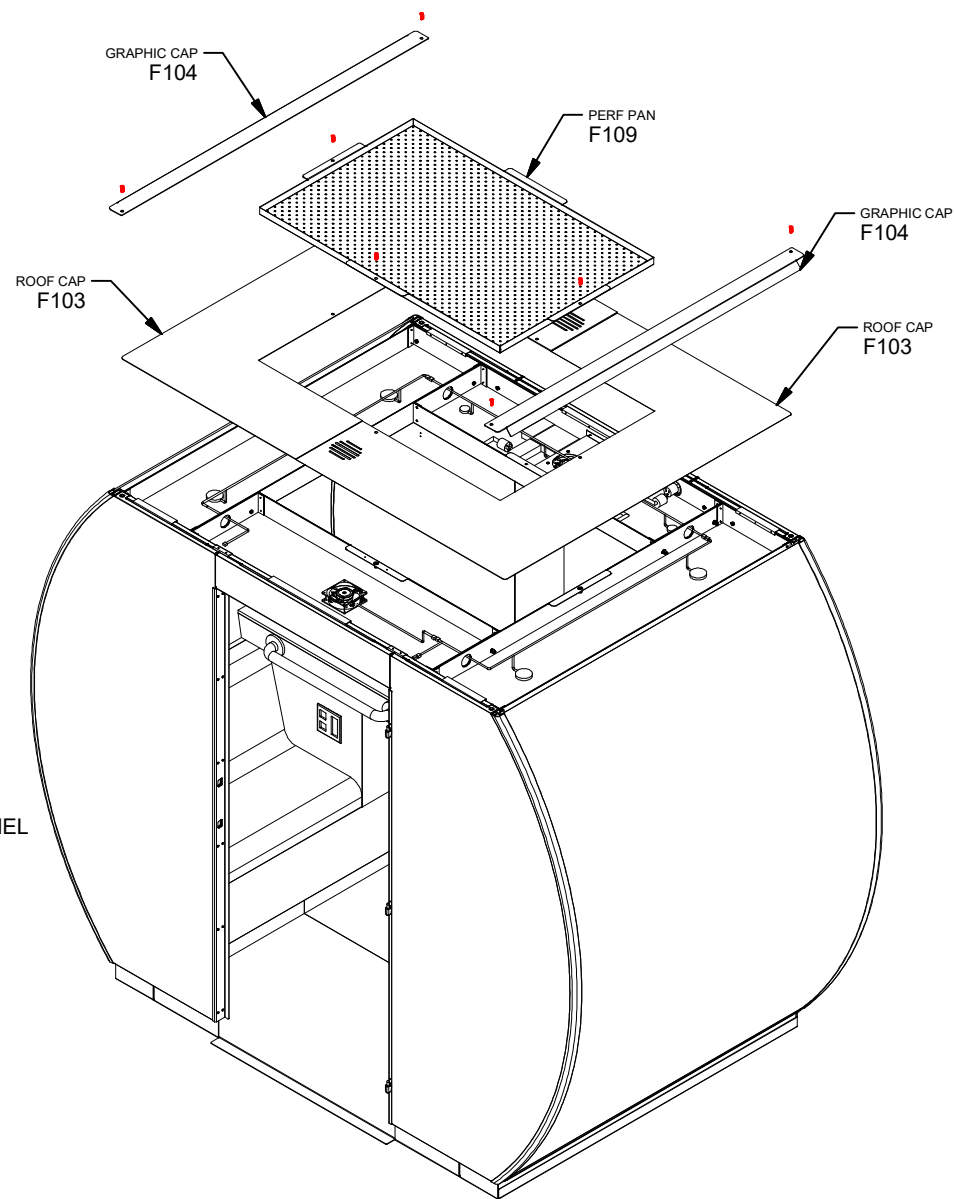
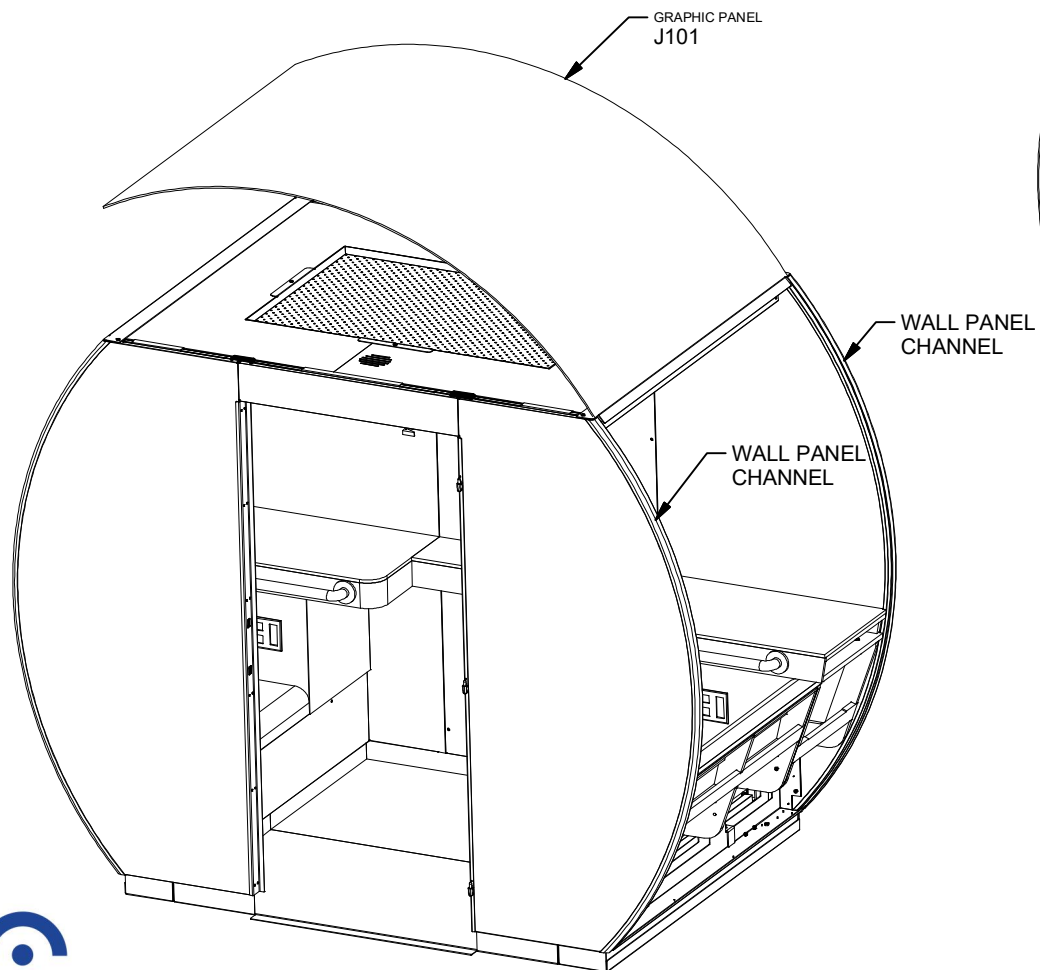
**39.** Drop both Roof Caps onto Roof Pans as shown. PCD antennas pass through holes in Roof Cap.

**40.** Fasten Graphic Caps to Front and Back Wall Panels.

(4) M8 X 1.25 X 25mm screws

**41.** Drop Perf Pan into center, fasten to Roof Pans underneath.

(3) M8 X 1.25 X 25mm screws



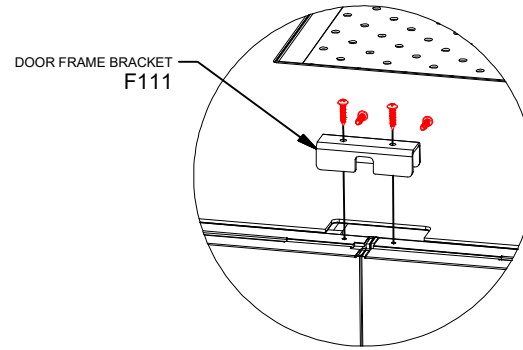
## DOOR

42. Hang Door and connect door closer arms.

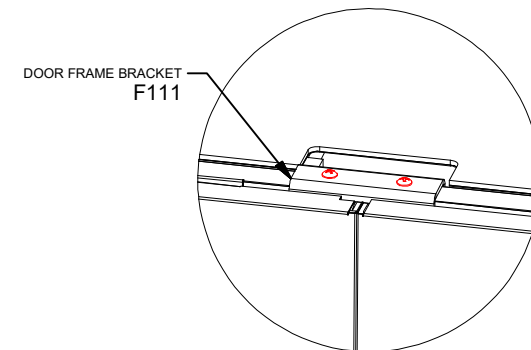
43. Adjust Door Kick so that it sits 1" off the floor. Tighten in place via screws on back of door.

44. Fasten Door Frame Brackets to top and inside of unit as shown in Detail D and D1. Tap in bracket with hammer if necessary. (4 per bracket) #8 X .75in screws

**\*\*Assembly completed! If door does not sit square, remove side beauty panels and adjust leveling feet (red painted bolts), making sure the walls are level horizontally and vertically\*\***



DETAIL D



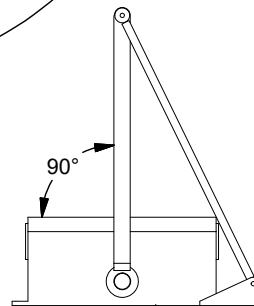
DETAIL D1

TOP ARM MUST BE 90° TO CLOSED DOOR

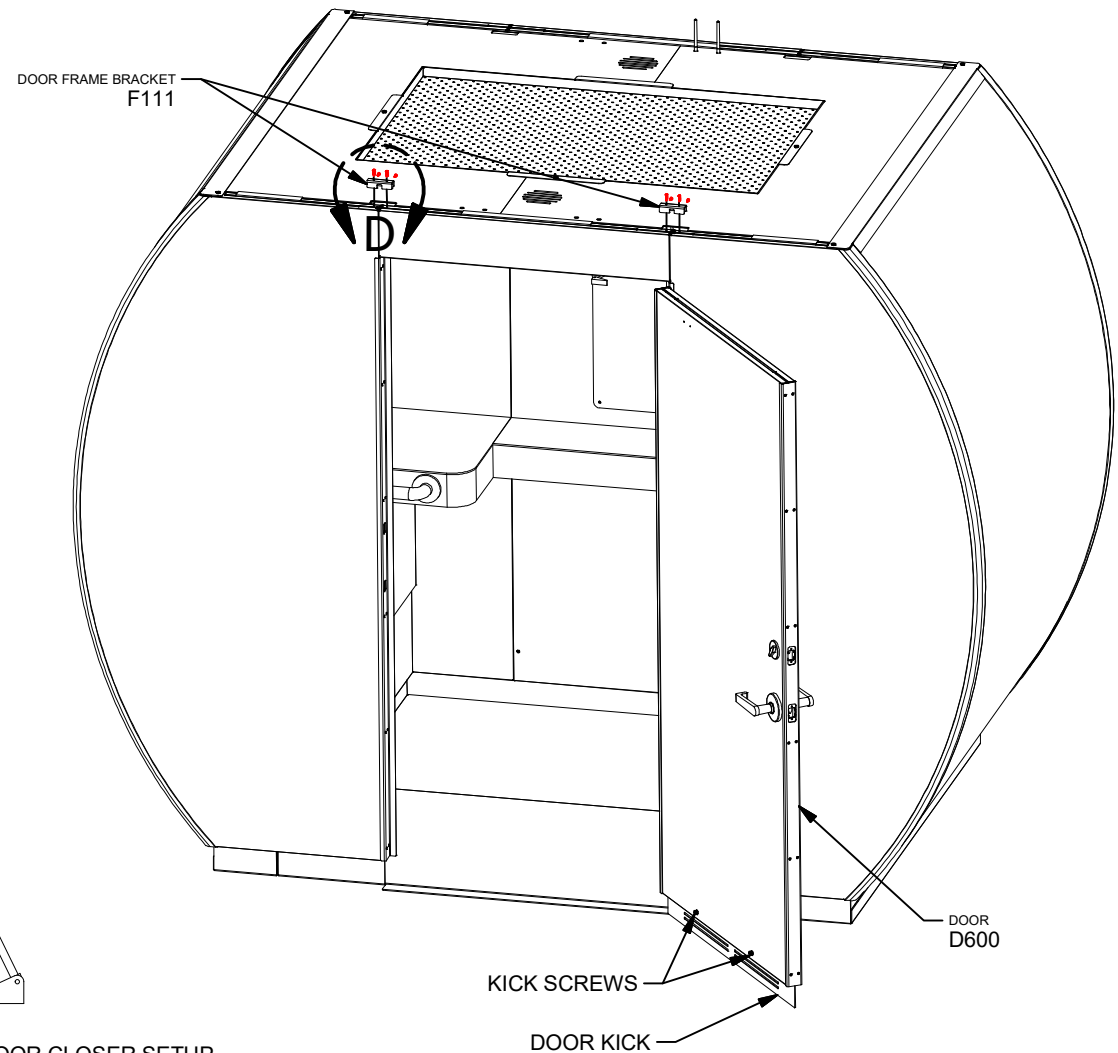
TENSION AND SPEED ADJUSTMENT SCREWS

FASTEN BOTTOM ARM TO TOP ARM.

\*SPIN BOTTOM ARM TO CHANGE LENGTH.



DOOR CLOSER SETUP AS VIEWED FROM BELOW



## (OPTIONAL FRIDGE CABINET INSTRUCTIONS)

### FRIDGE CABINET/SEAT AND COUNTERS

3. Fasten bottom of Left Outlet Box to top of Left Chassis, and bottom of Right Outlet Box to top of Right Chassis. Remove Right J-Box from Right Outlet Box. (2 per side) M8 X 1.25 X 25mm screws

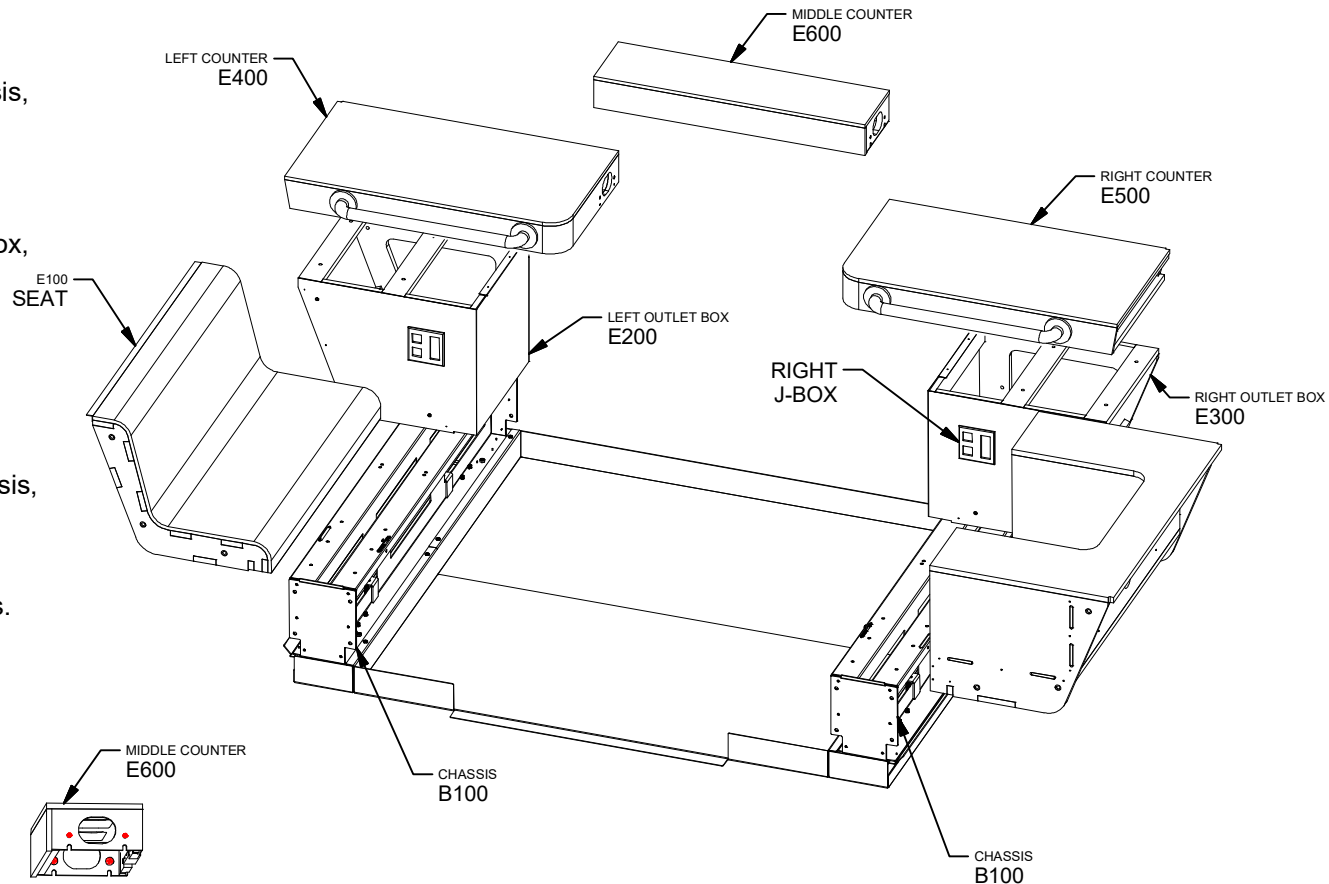
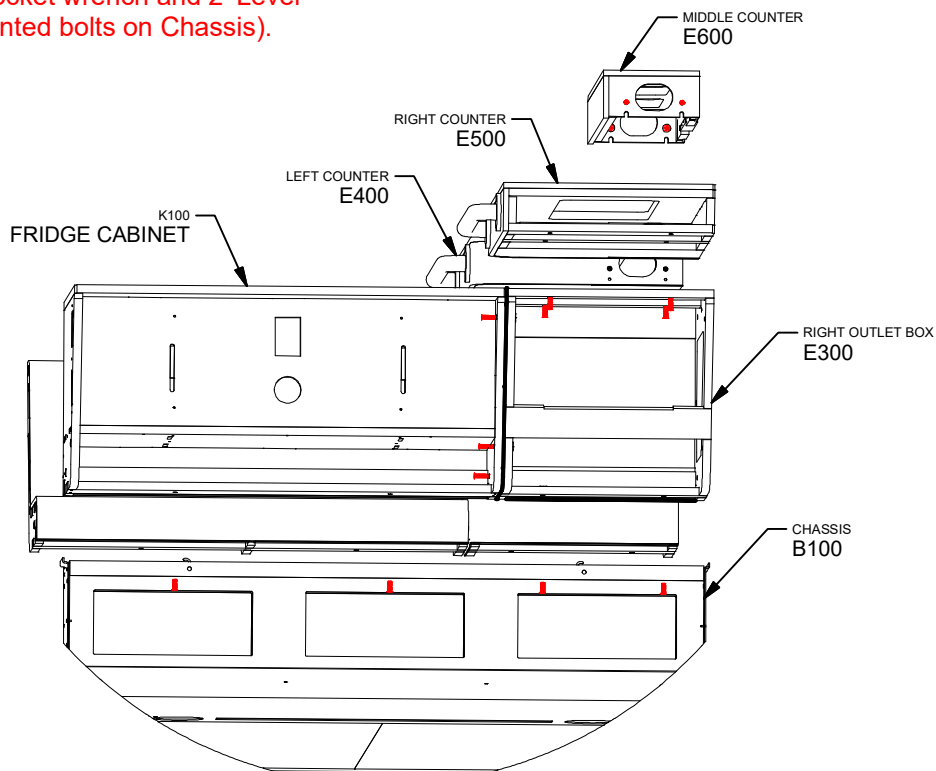
4. Fasten bottom of Left Counter to top of Left Outlet Box, and bottom of Right Counter to top of Right Outlet Box. (4 per side) M8 X 1.25 X 50mm screws

5. Fasten ends of Middle Counter to Left and Right Counters. (2 per side) M8 X 1.25 X 50mm screws

6. Fasten bottom of Seat/Fridge Cabinet to top of Chassis, both sides. (2 per side) M8 X 1.25 X 25mm screws

7. Fasten Seat/Fridge Cabinet to Outlet Box, both sides. (3 per side) M8 X 1.25 X 50mm screws

8. Level base in both directions with 9/16" socket wrench and 2' Level (red painted bolts on Chassis).



Note: Return to [Page 6](#) after completing these steps.

**(OPTIONAL FRIDGE CABINET INSTRUCTIONS)**

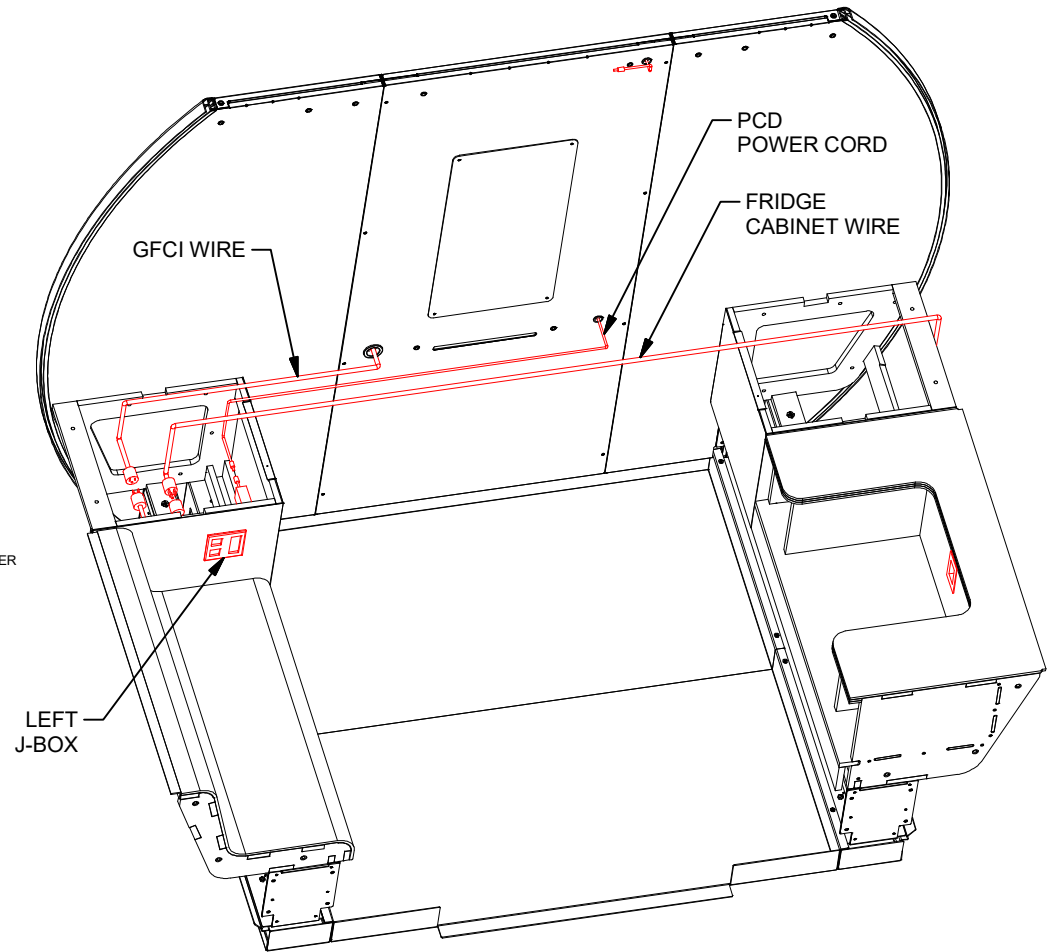
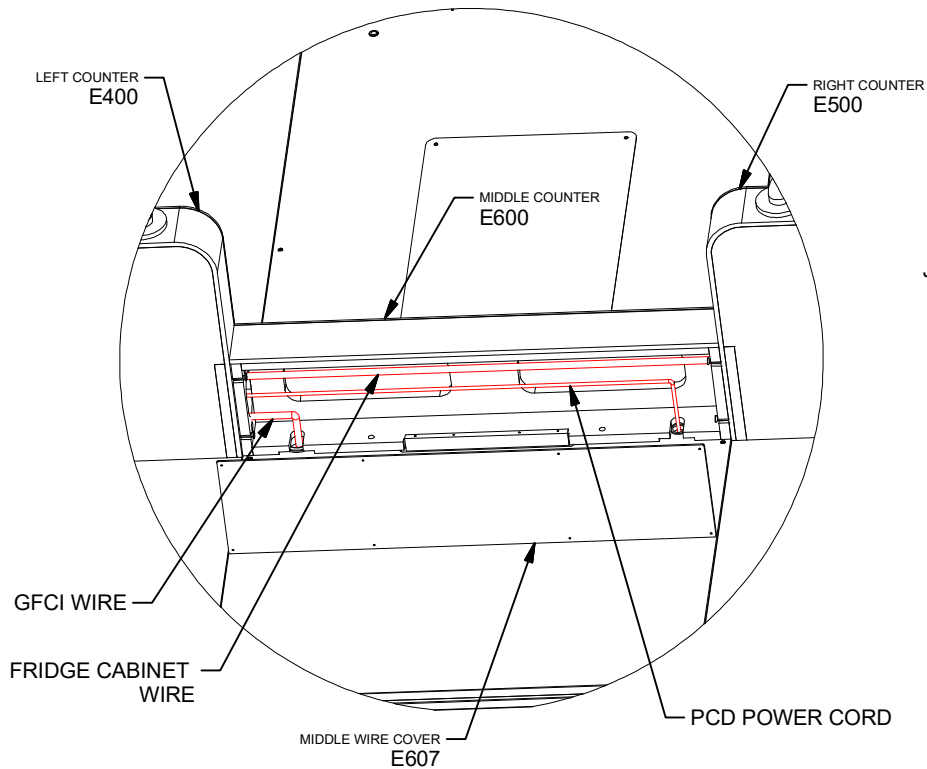
**WIRING: FRIDGE CABINET AND OUTLET BOX**

**17.** Feed GFCI Wire through Middle Counter and Left counter holes. Connect to Left J-Box.

**18.** Feed Fridge Cabinet Wire out through Right Counter, Middle Counter, and Left counter. Connect to Left J-Box.

**19.** Feed PCD power cord through Middle Counter and Left Counter. Connect to Left J-Box.

**20.** Screw Middle Wire Cover into bottom of Middle Counter and plug GFCI Wire coming out of back of unit into wall outlet.



**Note: Return to [Page 9](#) after completing these steps.**