



Damage Claim Form

If your Mamava pod arrives with any damaged or missing parts, we want to know! Complete this form and send it to service@mamava.com **within 10 days of delivery** to be eligible for repair or replacement. We'll do our best to respond within 24 hours of receiving your form.

Damage claim process

- 1 Identify the product you have in the following pages.
- 2 Circle the damaged area(s) on the parts page.
- 3 Provide a detailed explanation of the damage or missing parts, including all relevant part numbers. If you don't have the part number, please include the page number from the assembly instructions where the part is described.
- 4 Take photos of any damage—including pallet, packaging, and parts.
- 5 Send photos and completed form to service@mamava.com.

Company/Organization Name

Company Address

Contact Name

Contact Email Address

Contact Phone Number

Date of Delivery

Pod Serial Number (located on door jamb)

XL Pod



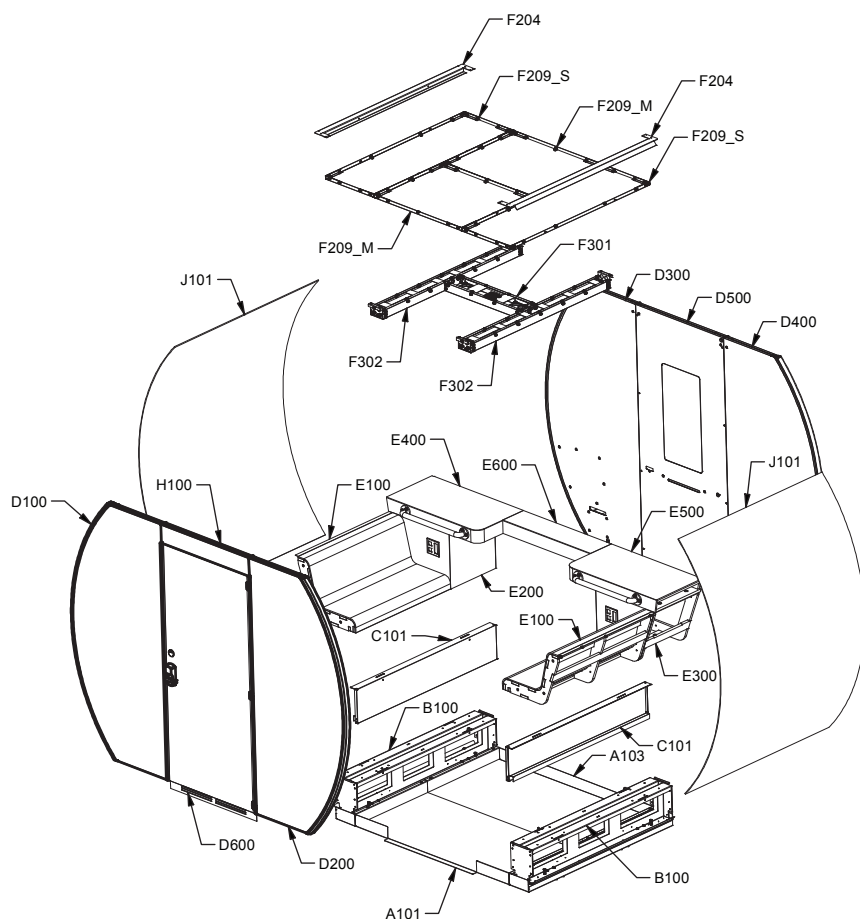
XL Pod Parts

PART NUMBER	PART
XL-A101	Front Floor Pan
XL-A103	Back Floor Pan
XL-B100	Chassis
XL-C101	Beauty Panel
XL-D100	Front Left Wall Panel
XL-D200	Front Right Wall Panel
XL-D300	Back Left Wall Panel
XL-D400	Back Right Wall Panel
XL-D500	Back Middle Wall Panel
XL-D600	Door
E100	Bench
XL-E200	Left Outlet Box
XL-E300	Right Outlet Box

PART NUMBER	PART
XL-E400	Left Counter
XL-E500	Right Counter
XL-E600	Middle Counter
XL-E607	Middle Wire Cover
XL-F204	Graphic Cap
XL-F301	Middle Roof Pan
XL-F302	Side Roof Pan
XL-F209_M	Middle Perf Pan
XL-F209_S	Side Perf Pan
XL-F210_M	Middle Enhanced Privacy Panel
XL-F210_S	Side Enhanced Privacy Panel
XL-H100	Header
XL-J101	Graphics Panel

Circle the damaged part(s).

Describe the damage.



Original Pod



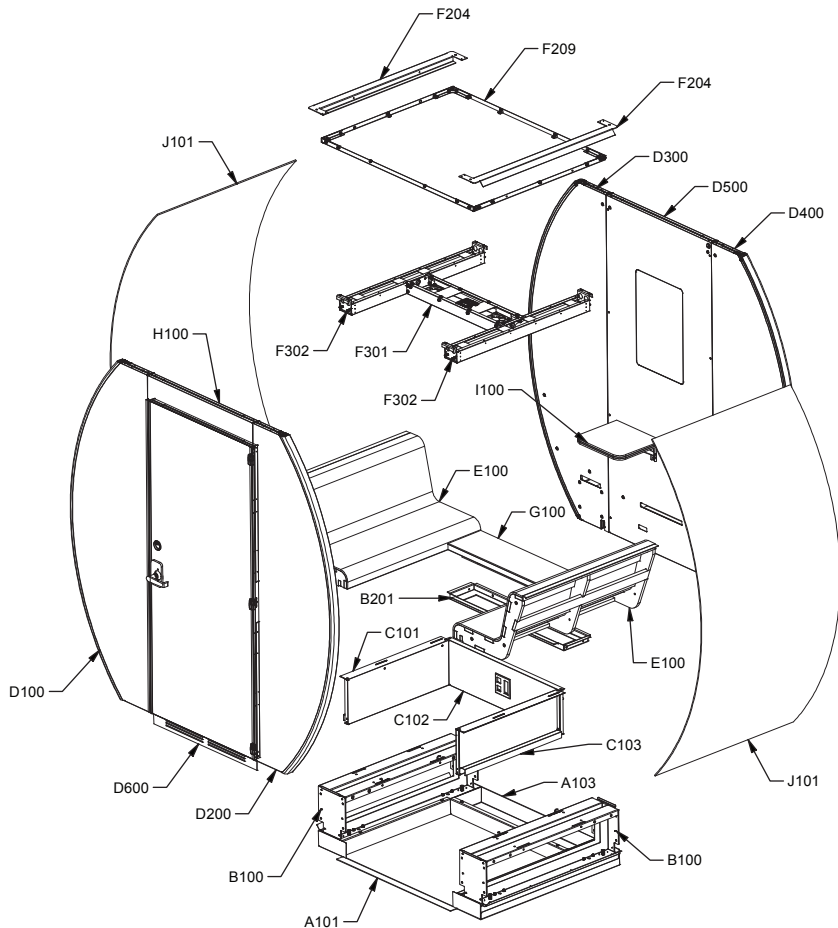
Original Pod Parts

PART NUMBER	PART
A101	Middle Floor Pan
A103	Back Floor Pan
B100	Chassis
B201	Bench Support
C101	Left Beauty Panel
C102	Middle Beauty Panel
C103	Right Beauty Panel
D100	Front Left Wall Panel
D200	Front Right Wall Panel
D300	Back Left Wall Panel
D400	Back Right Wall Panel
D500	Back Middle Wall Panel

PART NUMBER	PART
D600	Door
E100	Bench
F204	Graphic Cap
F301	Middle Roof Pan
F302	Side Roof Pan
F209	Perf Pan
F210	Enhanced Privacy Panel
G100	Middle Bench
H100	Header
I100	Folding Shelf
J101	Graphics Panel

Circle the damaged part(s).

Describe the damage.



Flex Pod



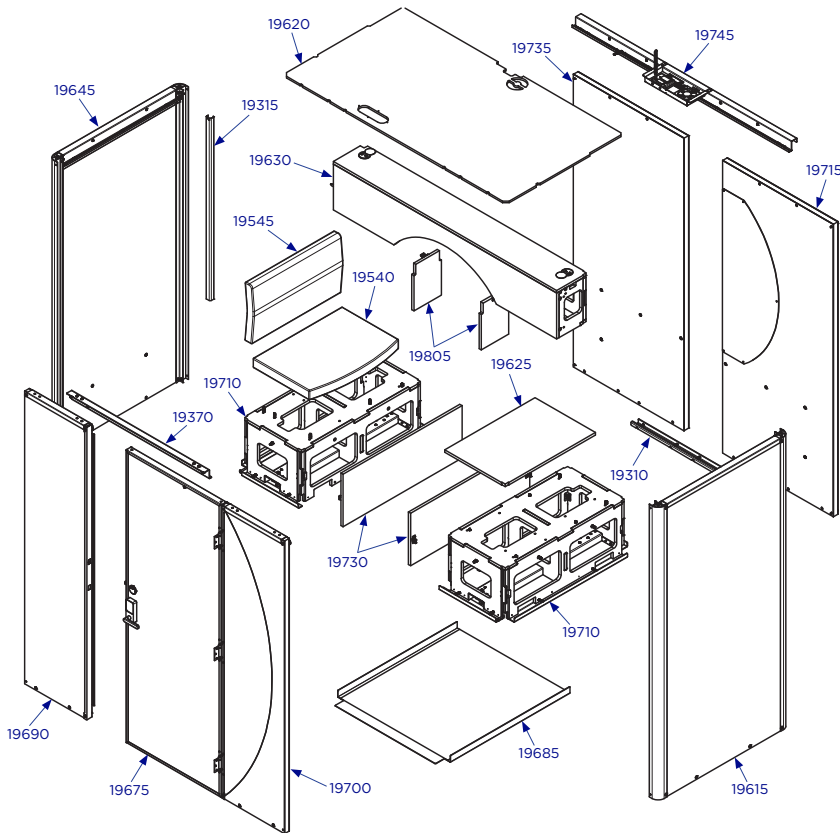
Flex Pod Parts

PART NUMBER	PART
19310	Panel Rail, Bottom Wall
19315	Wire Cover
19370	Header Rail
19540	Seat Base
19545	Seat Back
19615	Wall Panel, Right
19620	Roof
19625	Seat
19630	Shelf
19645	Wall Panel, Left

PART NUMBER	PART
19675	Door
19685	Floor
19690	Wall Panel, Front Left
19700	Wall Panel, Front Right
19710	Chassis
19715	Wall Panel, Back Right
19730	Beauty Panel
19735	Wall Panel, Back Left
19745	Rail, Top Wall Panel
19805	Cover, Shelf Support

Circle the damaged part(s).

Describe the damage.



Solo + Solo Base Pods



Solo



Solo Base

Solo Pod Parts

PART NUMBER	PART
14915	Roof Panel
14955	Left Wall Panel
14980	Back Wall Panel
15015	Right Wall Panel
15450	GFCI Plug
16350	Base
16355 (Solo Base)	Roof Frame
17180 (Solo)	
16595	Seat Back
17950	Shelf

PART NUMBER	PART
16700	Seat Frame Right Side
16705	Seat Frame Left Side
16710	Seat Base
16715	Seat Frame Front
16765	Light Fixture
16770	Laptop Desk
17160	Wire Cover
17215	Caster Wheels
17790 (Solo Base)	Door
18740	

Circle the damaged part(s).

Describe the damage.

